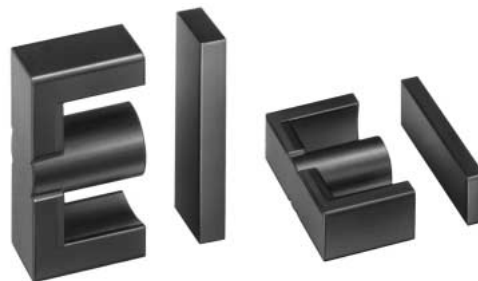
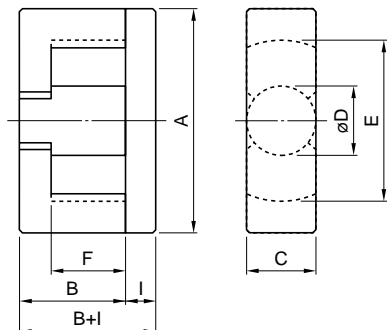


形状・寸法 / 特性

Shapes and dimensions/Characteristics



形状 Type	寸法 Dimensions(mm)								Bobbin
	A	B+l	B	C	øD	E min.	F	l	
EIR-12.4D	12.4±0.25	5.00±0.20	4.10±0.10	5.00±0.15	3.40±0.10	10.4	3.10±0.10	0.90±0.10	
EIR-25.5	25.5±0.6	18.6±0.5	15.5±0.3	7.50±0.25	7.50±0.25	19.7	12.4±0.3	3.10±0.20	
EIR-28.5P	28.5±0.6	16.7±0.4	13.7±0.2	11.4±0.25	9.90±0.25	21.0	9.30±0.30	3.00±0.20	
EIR-28.5N	28.5±0.6	17.6±0.4	14.6±0.2	11.4±0.3	9.90±0.30	21.1	10.2±0.2	3.00±0.20	
EIR-28.5	28.5±0.6	21.3±0.5	16.9±0.3	11.4±0.3	9.90±0.30	21.1	12.5±0.3	4.40±0.20	
EIR-30K	30.0±0.5	26.5±0.5	21.5±0.2	12.0±0.2	12.0±0.2	20.2	16.5±0.2	5.00±0.30	
EIR-35	35.0±0.9	29.4±0.55	24.4±0.3	11.3±0.3	11.3±0.25	25.2	18.4±0.4	5.00±0.25	
EIR-40	40.0±0.8	34.3±0.7	27.3±0.4	13.3±0.3	13.3±0.3	27.25	20.3±0.4	7.00±0.30	
EIR-90	90.0±1.8	55.0±0.95	45.0±0.65	30.0±1.0	30.0±1.0	68.5	35.5±0.5	10.0±0.3	
EIR-94	94.0±1.8	59.5±0.95	47.5±0.65	30.0±1.0	30.0±1.0	68.5	35.5±0.5	12.0±0.3	

形状 Type	AL value(nH/N ²)±25%				コア定数 Core parameters					Weight (g/set)
	MB1	MB3	MB4	MBT1	C ₁ (mm ⁻¹)	Le(mm)	Ae(mm ²)	Amin(mm ²)	Ve(mm ³)	
EIR-12.4D	929	800	800	1290	1.85	17.1	9.21	8.88	157	0.85
EIR-25.5	1850	2200	2200	2750	1.08	47.6	44.3	42.4	2110	11.1
EIR-28.5P	3610	4170	4170	5240	0.526	42.4	80.6	68.4	3420	19.2
EIR-28.5N	3500	4300	4300	5100	0.548	44.2	80.6	68.4	3560	19.9
EIR-28.5	3410	4300	4300	5030	0.578	50.0	86.6	77.0	4330	24.0
EIR-30K	4140	4930	4930	6180	0.486	57.8	119	113	6880	37.0
EIR-35	3350	4010	4010	5070	0.621	67.9	109	100	7430	40.2
EIR-40	4280	5140	5140	6530	0.492	76.6	156	139	11900	65.4
EIR-90	9560	11700	11700		0.237	145	614	544	89100	486
EIR-94	10700	13100	13100		0.212	151	713	707	108000	582