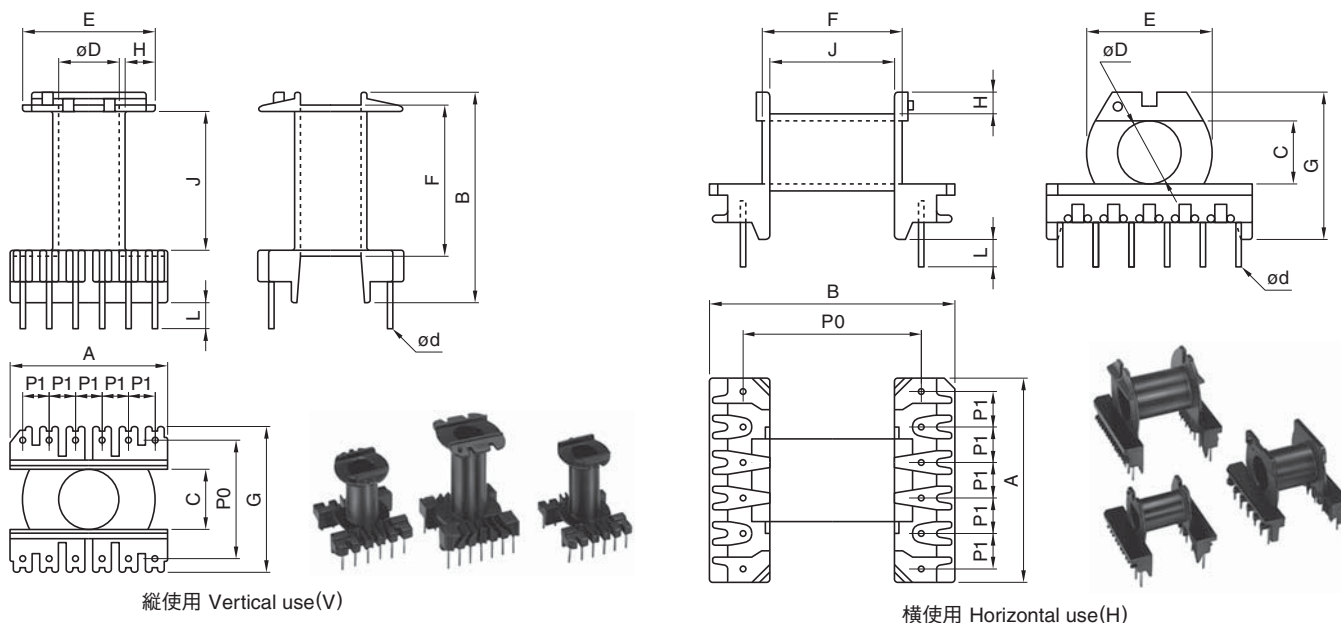


形状・寸法

Shapes and dimensions



品名 Part No.	寸法 Dimension(mm)													No. of terminal pins	コア方向*2 Core direction	適合コア Applied core	
	A max.	B max.	C*1 min.	øD*1 min.	E*1 max.	F*1 max.	G max.	H min.	J min.	P1	P0	ød	L			EER core	EIR core
BER10.8LD10	11	5.05	6.1	4.4	8.6	2.95	12.6	1.5	2.1	2.0	11	□0.7	1.4	5-5	SMD	EER10.8K	
BER24AP12	29.0	35.3	9.0	8.8	17.6	19.7	21.0	3.4	17.6	5.0	25.0	0.8	3.9	6-6	H	EER24K	
BER25.5KP8	22.0	19.0	7.9	7.9	19.5	11.9	19.6	4.5	9.8	5.0	12.5	0.8	5.0	4-4	V	EER25.5A	EIR25.5
BER28.5KP10	25.0	26.5	11.8	10.3	20.9	18.5	23.0	4.1	16.2	5.0	17.5	0.8	5.0	5-5	V	EER28.5A	
BER28.5SP12	31.0	26.4	11.8	10.3	21.0	18.4	26.0	4.3	16.6	5.0	17.5	0.8	3.6	6-6	V	EER28.5A	
BER28.5TP12	31.0	26.4	11.8	10.3	21.0	18.4	26.0	4.3	16.6	5.0	22.0	0.8	3.6	6-6	V	EER28.5A	
BER28.5LP10	25.0	32.3	11.8	10.2	20.9	24.3	23.0	4.1	22.0	5.0	17.5	0.8	5.0	5-5	V	EER28.5B	
BER28.5MP12	28.5	33.2	11.8	10.3	21.1	24.3	26.0	4.3	22.2	5.0	17.5	1.0	3.6	6-6	V	EER28.5B	
BER28.5NP12	28.5	33.2	11.8	10.3	21.1	24.3	26.0	4.3	22.2	5.0	22.0	1.0	3.6	6-6	V	EER28.5B	
BER28.5RP12	29.0	38.0	11.8	10.3	20.9	24.3	25.0	4.3	21.8	5.0	30.0	0.8	4.0	6-6	H	EER28.5B	
BER28.5AP10	25.0	15.5	11.8	10.2	20.9	9.0	23.0	4.2	7.2	5.0	17.5	0.8	4.1	5-5	V	EER28.5U	EIR28.5P
BER35KP12	30.2	40.2	11.6	11.6	25.3	28.6	27.5	5.6	26.3	5.0	22.5	1.0	5.0	6-6	V	EER35A	
BER35LP16	40.0	44.0	11.8	11.6	25.3	28.8	29.2	5.8	26.5	5.0	35.0	1.0	5.0	8-8	H	EER35A	
BER39KP14	34.2	44.7	13.2	13.2	28.4	33.4	29.2	6.4	30.8	5.0	25.0	1.0	4.0	7-7	V	EER39J	
BER39LP16	40.2	33.0	13.1	13.1	28.4	33.6	33.1	6.3	27.8	5.0	35.0	1.0	3.5	8-8	H	EER39J	
BER40KP12	30.0	41.1	13.7	13.7	28.7	29.8	30.0	6.3	27.3	5.0	25.0	1.0	5.0	6-6	V	EER40D	
BER40LP16	40.2	46.0	13.7	13.7	28.7	29.8	32.7	6.3	27.3	5.0	35.0	1.0	5.0	8-8	H	EER40D	
BER40MP16	40.2	44.8	15.5	14.5	30.4	29.5	34.5	6.8	27.3	5.0	35.0	1.0	6.5	8-8	H	EER40H	
BER42KP14	38.0	41.0	15.9	15.9	29.0	29.9	29.2	5.4	27.2	5.0	25.0	1.0	5.0	7-7	V	EER42D	
BER42LP16	40.2	44.0	15.9	15.9	29.0	29.9	34.7	5.4	27.4	5.0	35.0	1.0	5.0	8-8	H	EER42D	
BER42AP14	35.2	41.6	20.2	17.7	31.5	29.9	35.2	5.5	27.2	5.0	30.0	1.0	4.5	7-7	V	EER42P	
BER49AP18	49.0	50.2	17.7	17.6	36.2	36.4	37.0	8.0	33.6	5.0	28.0	1.0	5.0	9-9	V	EER49L	
BER90AB	80.0	89.3	31.3	31.3	67.3	69.3	76.8	20.7	64.9	20.0	50.0			3-3	V	EER90, 94	

\*1 コア 勘合面 \*2 V=縦使用 Vertical use, H=横使用 Horizontal use