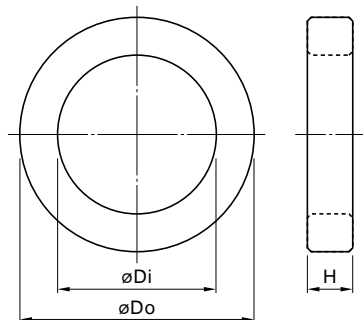


形状・寸法 / 特性

Shapes and dimensions/Characteristics



形状 Type	略称 Abbreviation	寸法 Dimensions(mm)		
		øDo	øDi	H
R-3.5/1.9/1.2A	R-3.5A	3.50±0.20	1.90±0.20	1.20±0.20
R-3.5/1.9/1.5B	R-3.5B	3.50±0.20	1.90±0.20	1.50±0.20
R-3.8/1.9/2A	R-3.8A	3.80±0.20	1.90±0.20	2.00±0.20
R-6/3/1.5A	R-6A	6.00±0.25	3.00±0.20	1.50±0.20
R-6/3/2C	R-6C	6.00±0.25	3.00±0.20	2.00±0.20
R-6/3/3B	R-6B	6.00±0.25	3.00±0.20	3.00±0.20
R-6.3/3/3A	R-6.3A	6.30±0.25	3.00±0.20	3.00±0.20
R-8/4/2A	R-8A	8.00±0.30	4.00±0.20	2.00±0.20
R-8/4/4B	R-8B	8.00±0.30	4.00±0.20	4.00±0.20
R-9/5/3A	R-9A	9.00±0.30	5.00±0.20	3.00±0.20
R-9.9/4.7/2.5B	R-9.9B	9.90±0.30	4.70±0.25	2.50±0.25
R-9.9/4.7/4.7A	R-9.9A	9.90±0.30	4.70±0.25	4.70±0.25
R-10/6/4A	R-10A	10.0±0.3	6.00±0.30	4.00±0.25
R-10/6/5E	R-10E	10.0±0.3	6.00±0.30	5.00±0.25
R-10/6/6B	R-10B	10.0±0.3	6.00±0.30	6.00±0.30
R-12/6/4A	R-12A	12.0±0.3	6.00±0.30	4.00±0.25
R-12.7/7.6/6A	R-12.7A	12.7±0.35	7.60±0.30	6.00±0.30
R-12.7/7.9/6C	R-12.7C	12.7±0.35	7.90±0.30	6.00±0.30
R-12.7/7.9/6.35B	R-12.7B	12.7±0.35	7.90±0.30	6.35±0.30
R-13/7/5A	R-13A	13.0±0.35	7.00±0.30	5.00±0.30
R-13/7/5.5C	R-13C	13.0±0.35	7.00±0.30	5.50±0.30
R-13/7/6.5B	R-13B	13.0±0.35	7.00±0.30	6.50±0.30
R-13.8/7.3/3.6A	R-13.8A	13.8±0.35	7.30±0.30	3.60±0.30
R-14/7/3H	R-14H	14.0±0.35	7.00±0.30	3.00±0.20
R-14/7/5A	R-14A	14.0±0.35	7.00±0.30	5.00±0.30
R-14/7/7B	R-14B	14.0±0.35	7.00±0.30	7.00±0.30
R-14/8/4C	R-14C	14.0±0.35	8.00±0.30	4.00±0.30
R-14/8/7D	R-14D	14.0±0.35	8.00±0.30	7.00±0.30
R-14/9/5G	R-14G	14.0±0.35	9.00±0.30	5.00±0.30
R-16/10/5D	R-16D	16.0±0.35	10.0±0.3	5.00±0.30
R-16/10/7B	R-16B	16.0±0.35	10.0±0.3	7.00±0.30
R-16/12/8C	R-16C	16.0±0.35	12.0±0.4	8.00±0.30
R-16/7/4A	R-16A	16.0±0.35	7.00±0.30	4.00±0.30
R-16/7/8F	R-16F	16.0±0.35	7.00±0.30	8.00±0.30
R-17/11/6A	R-17A	17.0±0.35	11.0±0.4	6.00±0.30
R-18/10/7A	R-18A	18.0±0.4	10.0±0.4	7.00±0.30
R-18/12/6B	R-18B	18.0±0.4	12.0±0.4	6.00±0.30
R-18/12/8C	R-18C	18.0±0.4	12.0±0.4	8.00±0.30
R-18.5/9.8/5.2B	R-18.5B	18.5±0.4	9.80±0.30	5.20±0.30
R-18.5/9.8/7C	R-18.5C	18.5±0.4	9.80±0.30	7.00±0.30
R-18.5/9.8/10.3A	R-18.5A	18.5±0.4	9.80±0.30	10.3±0.3
R-18.5/9.8/13D	R-18.5D	18.5±0.4	9.80±0.30	13.0±0.4
R-19/13/6A	R-19A	19.0±0.4	13.0±0.4	6.00±0.30
R-20/10/5A	R-20A	20.0±0.4	10.0±0.3	5.00±0.30
R-20/12/4D	R-20D	20.0±0.4	12.0±0.3	4.00±0.30
R-20/12/8B	R-20B	20.0±0.4	12.0±0.3	8.00±0.30
R-20/12/10C	R-20C	20.0±0.4	12.0±0.3	10.0±0.3
R-21.5/14.5/8A	R-21.5A	21.5±0.4	14.5±0.35	8.00±0.35
R-22/14/6.5E	R-22E	22.0±0.4	14.0±0.35	6.50±0.35
R-22/14/8B	R-22B	22.0±0.4	14.0±0.35	8.00±0.35
R-22/14/10A	R-22A	22.0±0.4	14.0±0.35	10.0±0.35
R-22/14/13C	R-22C	22.0±0.4	14.0±0.35	13.0±0.35
R-22.1/13/6.4A	R-22.1A	22.1±0.4	13.0±0.35	6.40±0.35
R-24/14/9K	R-24K	24.0±0.4	14.0±0.35	9.00±0.35

エポキシ樹脂コーティング、コアの厚さ寸法(H)の異なる製品も製作いたします。当社営業所へお申しつけください。

Available for the epoxy insulation coating and different core thickness products. Please contact us.

FERRITE CORES FOR EMI PREVENTION/EMC and PULSE TRANSFORMER

R(リング)コア
R(Toroidal) Cores

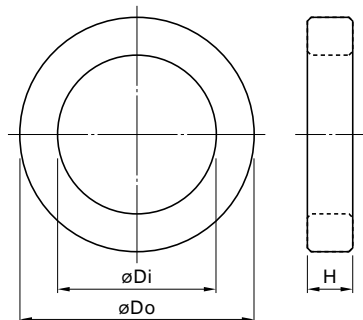


形状 Type	AL value(nH/N ²)±30%						コア定数 Core parameters				Weight (g)
	MA055	MA070	MA085	MA100	MA120	MA150	C ₁ (mm ⁻¹)	Le(mm)	Ae(mm ²)	Ve(mm ³)	
R-3.5/1.9/1.2A	806	1030	1250				8.57	7.98	0.931	7.42	0.040
R-3.5/1.9/1.5B	1010	1280	1560				6.86	7.98	1.16	9.28	0.050
R-3.8/1.9/2A	1520	1940	2360				4.53	8.27	1.83	15.1	0.083
R-6/3/1.5A	1140	1460	1770				6.04	13.1	2.16	28.2	0.16
R-6/3/2C	1520	1940	2360				4.53	13.1	2.88	37.7	0.21
R-6/3/3B	2290	2910	3540				3.02	13.1	4.32	56.5	0.31
R-6.3/3/3A	2450	3120	3780				2.82	13.3	4.73	63.1	0.35
R-8/4/2A	1520	1940	2360				4.53	17.4	3.84	67.0	0.37
R-8/4/4B	3050	3880	4710				2.27	17.4	7.69	134	0.74
R-9/5/3A	1940	2470	3000	3530			3.56	20.8	5.83	121	0.65
R-9.9/4.7/2.5B	2050	2610	3170	3720			3.37	20.9	6.21	130	0.73
R-9.9/4.7/4.7A	3850	4900	5950	7000			1.79	20.9	11.7	244	1.4
R-10/6/4A	2250	2860	3470	4090	4900	6130	3.08	24.1	7.83	188	0.99
R-10/6/5E	2810	3580	4340	5110	6130	7660	2.46	24.1	9.79	236	1.2
R-10/6/6B	3370	4290	5210	6130	7360	9190	2.05	24.1	11.7	283	1.5
R-12/6/4A	3050	3880	4710	5550	6650	8320	2.27	26.1	11.5	301	1.7
R-12.7/7.6/6A	3390	4310	5240	6160	7390	9240	2.04	30.5	15.0	457	2.4
R-12.7/7.9/6C	3130	3990	4840	5700	6840	8550	2.21	31.2	14.1	441	2.3
R-12.7/7.9/6.35B	3320	4220	5120	6030	7240	9040	2.08	31.2	15.0	466	2.4
R-13/7/5A	3400	4330	5260	6190	7430	9290	2.03	29.5	14.5	429	2.3
R-13/7/5.5C	3750	4770	5790	6810	8170	10200	1.85	29.5	16.0	471	2.5
R-13/7/6.5B	4430	5630	6840	8050	9660	12100	1.56	29.5	18.9	557	3.0
R-13.8/7.3/3.6A	2520	3210	3900	4580	5500	6880	2.74	31.0	11.3	351	1.9
R-14/7/3H	2290	2910	3540	4160	4990	6240	3.02	30.5	10.1	308	1.7
R-14/7/5A	3810	4850	5890	6930	8320	10400	1.81	30.5	16.8	513	2.8
R-14/7/7B	5340	6790	8250	9700	11600	14600	1.29	30.5	23.5	718	4.0
R-14/8/4C	2460	3130	3810	4480	5370	6720	2.81	32.8	11.7	384	2.0
R-14/8/7D	4310	5480	6660	7830	9400	11800	1.60	32.8	20.5	671	3.6
R-14/9/5G	2430	3090	3760	4420	5300	6630	2.84	35.0	12.3	430	2.2
R-16/10/5D	2590	3290	4000	4700	5640	7050	2.67	39.4	14.7	580	3.0
R-16/10/7B	3620	4610	5590	6580	7900	9870	1.91	39.4	20.6	812	4.2
R-16/12/8C	2530	3220	3910	4600	5520	6900	2.73	43.4	15.9	689	3.4
R-16/7/4A	3640	4630	5620	6610	7940	9920	1.90	32.3	17.0	550	3.2
R-16/7/8F	7270	9260	11200	13200	15900	19800	0.95	32.3	34.0	1100	6.4
R-17/11/6A	2870	3660	4440	5220	6270	7840	2.41	42.6	17.7	755	3.9
R-18/10/7A	4530	5760	6990	8230	9870	12300	1.53	41.5	27.2	1130	6.0
R-18/12/6B	2680	3410	4140	4870	5840	7300	2.58	45.9	17.8	814	4.2
R-18/12/8C	3570	4540	5510	6490	7780	9730	1.94	45.9	23.7	1090	5.5
R-18.5/9.8/5.2B	3630	4630	5620	6610	7930	9910	1.90	41.6	21.9	910	4.9
R-18.5/9.8/7C	4890	6230	7560	8900	10700	13300	1.41	41.6	29.4	1220	6.6
R-18.5/9.8/10.3A	7200	9160	11100	13100	15700	19600	0.96	41.6	43.3	1800	9.8
R-18.5/9.8/13D	9090	11600	14000	16500	19800	24800	0.761	41.6	54.7	2270	12.3
R-19/13/6A	2500	3190	3870	4550	5460	6830	2.76	49.1	17.8	873	4.4
R-20/10/5A	3810	4850	5890	6930	8320	10400	1.81	43.6	24.0	1050	5.8
R-20/12/4D	2250	2860	3470	4090	4900	6130	3.08	48.1	15.7	754	3.9
R-20/12/8B	4500	5720	6950	8170	9810	12300	1.54	48.1	31.3	1510	7.9
R-20/12/10C	5620	7150	8680	10200	12300	15300	1.23	48.1	39.1	1880	9.9
R-21.5/14.5/8A	3470	4410	5360	6300			1.99	55.1	27.6	1520	7.8
R-22/14/6.5E	3230	4110	4990	5880			2.14	54.7	25.6	1400	7.2
R-22/14/8B	3980	5060	6150	7230			1.74	54.7	31.5	1720	8.9
R-22/14/10A	4970	6330	7680	9040			1.39	54.7	39.3	2150	11.1
R-22/14/13C	6460	8230	9990	11700			1.07	54.7	51.1	2790	14.4
R-22.1/13/6.4A	3740	4750	5770	6790			1.85	52.6	28.4	1500	7.9
R-24/14/9K	5340	6790	8250	9700			1.30	56.9	43.9	2500	13.2

Specifications which provide more details for the proper and safe use of the described product are available upon request.
All specifications are subject to change without notice.

形状・寸法 / 特性

Shapes and dimensions/Characteristics



形状 Type	略称 Abbreviation	寸法 Dimensions(mm)		
		øDo	øDi	H
R-25/15/4G	R-25G	25.0±0.5	15.0±0.4	4.00±0.40
R-25/15/6J	R-25J	25.0±0.5	15.0±0.4	6.00±0.40
R-25/15/7.7D	R-25D	25.0±0.5	15.0±0.4	7.70±0.40
R-25/15/8C	R-25C	25.0±0.5	15.0±0.4	8.00±0.40
R-25/15/10E	R-25E	25.0±0.5	15.0±0.4	10.0±0.4
R-25/15/12A	R-25A	25.0±0.5	15.0±0.4	12.0±0.4
R-25/15/13B	R-25B	25.0±0.5	15.0±0.4	13.0±0.4
R-25/15/15H	R-25H	25.0±0.5	15.0±0.4	15.0±0.4
R-28/19.1/10C	R-28C	28.0±0.5	19.1±0.5	10.0±0.4
R-28/19.1/11D	R-28D	28.0±0.5	19.1±0.5	11.0±0.4
R-28/19.1/12A	R-28A	28.0±0.5	19.1±0.5	12.0±0.4
R-30.5/19/13A	R-30.5A	30.5±0.5	19.0±0.5	12.9±0.3
R-31/14/5K	R-31K	31.0±0.5	14.0±0.5	5.00±0.40
R-31/19/5J	R-31J	31.0±0.5	19.0±0.5	5.00±0.40
R-31/19/6L	R-31L	31.0±0.5	19.0±0.5	6.00±0.40
R-31/19/7H	R-31H	31.0±0.5	19.0±0.5	7.00±0.40
R-31/19/8A	R-31A	31.0±0.5	19.0±0.5	8.00±0.40
R-31/19/13C	R-31C	31.0±0.5	19.0±0.5	13.0±0.4
R-31/19/15D	R-31D	31.0±0.5	19.0±0.5	15.0±0.4
R-31/20/10B	R-31B	31.0±0.5	20.0±0.5	10.0±0.4
R-31/20/15E	R-31E	31.0±0.5	20.0±0.5	15.0±0.4
R-36/23/7B	R-36B	36.0±0.6	23.0±0.5	7.00±0.40
R-36/23/15A	R-36A	36.0±0.6	23.0±0.5	15.0±0.4
R-37/22/6C	R-37C	37.0±0.6	22.0±0.5	6.00±0.50
R-37/22/13B	R-37B	37.0±0.6	22.0±0.5	13.0±0.4
R-37/22/15A	R-37A	37.0±0.6	22.0±0.5	15.0±0.4
R-38/19/13A	R-38A	38.0±0.7	19.0±0.5	13.0±0.5
R-38.1/19/12.7A	R-38.1A	38.1±0.7	19.0±0.5	12.7±0.4
R-39/20/6A	R-39A	39.0±0.7	20.0±0.5	6.00±0.50
R-39/20/7B	R-39B	39.0±0.7	20.0±0.5	7.00±0.50
R-44.5/30/13A	R-44.5A	44.5±0.7	30.0±0.5	13.0±0.4
R-47/27/15A	R-47A	47.0±0.8	27.0±0.5	15.0±0.5
R-48/30/15A	R-48A	48.0±0.8	30.0±0.5	15.0±0.5
R-50/25/10A	R-50A	50.0±0.8	25.0±0.5	10.0±0.5
R-50/25/15B	R-50B	50.0±0.8	25.0±0.5	15.0±0.5
R-50/25/19D	R-50D	50.0±0.8	25.0±0.5	19.0±0.5
R-51/31/13A	R-51A	51.0±0.7	31.0±0.5	13.0±0.4
R-56/36/20A	R-56A	56.0±0.8	36.0±0.5	20.0±0.5
R-60/36/20C	R-60C	60.0±0.8	36.0±0.5	20.0±0.5
R-60/40/18A	R-60A	60.0±0.8	40.0±0.5	18.0±0.5
R-60/40/25B	R-60B	60.0±0.8	40.0±0.5	25.0±0.5
R-63/38/25A	R-63A	63.0±0.9	38.0±0.7	25.0±0.8
R-68/44/13.5B	R-68B	68.0±1.0	44.0±0.8	13.5±0.5
R-68/44/15A	R-68A	68.0±1.0	44.0±0.8	15.0±0.5
R-78/51/16A	R-78A	78.0±1.5	50.5±1.5	16.0±1.5
R-78/51/22B	R-78B	78.0±1.5	50.5±1.5	22.0±1.5
R-78/51/25C	R-78C	78.0±1.5	50.5±1.5	25.0±1.5
R-82/55/20A	R-82A	82.0±1.6	55.0±1.0	20.0±0.5
R-96/75/24A	R-96A	96.0±2.5	75.0±2.5	24.0±1.0
R-98.5/63/20A	R-98.5A	98.5±2.0	63.0±2.0	20.0±1.0
R-102/61/21A	R-102A	102.0±2.5	61.0±1.5	21.0±0.5
R-102/61/23B	R-102B	102.0±2.5	61.0±1.5	23.0±0.5
R-117/80/23A	R-117A	117.0±2.5	80.0±2.0	23.0±1.0
R-128/105/33C	R-128C	128.0±2.5	104.5±2.5	33.5±1.0

エポキシ樹脂コーティング、コアの厚さ寸法(H)の異なる製品も製作いたします。当社営業所へお申しつけください。

Available for the epoxy insulation coating and different core thickness products. Please contact us.

FERRITE CORES FOR EMI PREVENTION/EMC and PULSE TRANSFORMER

R(リング)コア R(Toroidal) Cores



形状 Type	AL value(nH/N ²)±30%						コア定数 Core parameters				Weight (g)
	MA055	MA070	MA085	MA100	MA120	MA150	C ₁ (mm ⁻¹)	Le(mm)	Ae(mm ²)	Ve(mm ³)	
R-25/15/4G	2250	2860	3470	4090			3.08	60.2	19.6	1180	6.2
R-25/15/6J	3370	4290	5210	6130			2.05	60.2	29.4	1770	9.2
R-25/15/7.7D	4330	5510	6690	7870			1.60	60.2	37.7	2270	11.9
R-25/15/8C	4500	5720	6950	8170			1.54	60.2	39.1	2360	12.3
R-25/15/10E	5620	7150	8680	10200			1.23	60.2	48.9	2940	15.4
R-25/15/12A	6740	8580	10400	12300			1.03	60.2	58.7	3530	18.5
R-25/15/13B	7300	9300	11300	13300			0.946	60.2	63.6	3830	20.0
R-25/15/15H	8430	10700	13000	15300			0.82	60.2	73.4	4420	23.1
R-28/19.1/10C	4210	5360	6500	7650			1.64	72.2	44.0	3170	16.1
R-28/19.1/11D	4630	5890	7150	8420			1.49	72.2	48.4	3490	17.7
R-28/19.1/12A	5050	6430	7800	9180			1.37	72.2	52.8	3810	19.4
R-30.5/19/13A	6720	8550	10400				1.03	74.9	72.8	5460	28.3
R-31/14/5K	4370	5560	6760	7950			1.58	63.8	40.3	2570	14.7
R-31/19/5J	2690	3430	4160	4900			2.57	75.5	29.4	2220	11.5
R-31/19/6L	3230	4110	4990	5870			2.14	75.5	35.3	2660	13.9
R-31/19/7H	3770	4800	5830	6850			1.83	75.5	41.2	3110	16.2
R-31/19/8A	4310	5480	6660	7830			1.60	75.5	47.1	3550	18.5
R-31/19/13C	7000	8910	10800				0.987	75.5	76.5	5770	30.0
R-31/19/15D	8080	10300	12500				0.856	75.5	88.2	6660	34.6
R-31/20/10B	4820	6140	7450				1.43	77.6	54.1	4200	21.6
R-31/20/15E	7230	9200	11200				0.956	77.6	81.2	6300	32.4
R-36/23/7B	3450	4390	5330				2.00	89.6	44.7	4010	20.7
R-36/23/15A	7390	9410	11400				0.935	89.6	95.9	8600	44.3
R-37/22/6C	3430	4370	5300				2.01	88.6	44.0	3900	20.4
R-37/22/13B	7430	9460	11500				0.930	88.6	95.3	8450	44.3
R-37/22/15A	8580	10900	13300				0.806	88.6	110	9750	51.1
R-38/19/13A	9910	12600	15300				0.697	82.7	119	9820	54.2
R-38.1/19/12.7A	9720	12400	15000				0.711	82.8	117	9650	53.3
R-39/20/6A	4410	5610	6810				1.57	86.1	54.9	4730	25.9
R-39/20/7B	5140	6540	7950				1.34	86.1	64.1	5520	30.2
R-44.5/30/13A	5640	7180	8710				1.23	114	93.0	10600	54.0
R-47/27/15A	9150	11600	14100				0.756	110	146	16200	85.4
R-48/30/15A	7760	9870					0.891	118	133	15700	81.0
R-50/25/10A	7620	9700					0.906	109	120	13100	72.2
R-50/25/15B	11400	14600					0.604	109	180	19600	108
R-50/25/19D	14500	18400					0.477	109	228	24800	137
R-51/31/13A	7120	9060					0.971	124	127	15700	82.0
R-56/36/20A	9720	12400					0.711	140	197	27500	142
R-60/36/20C	11200	14300					0.615	144	235	33900	177
R-60/40/18A	8030	10200					0.861	153	178	27100	139
R-60/40/25B	11200	14200					0.620	153	247	37700	192
R-63/38/25A	13900	17700					0.497	152	306	46500	243
R-68/44/13.5B	6460	8230					1.07	170	159	27200	140
R-68/44/15A	7180	9140					0.962	170	177	30200	155
R-78/51/16A	7200						0.903	196	217	42400	218
R-78/51/22B	9890						0.657	196	298	58300	299
R-78/51/25C	11200						0.578	196	338	66200	340
R-82/55/20A	7670						0.787	210	266	55800	285
R-96/75/24A	6190						1.06	266	251	66700	332
R-98.5/63/20A	8800						0.703	245	349	85700	441
R-102/61/21A	9720						0.582	245	421	103000	540
R-102/61/23B	11700						0.531	245	461	113000	592
R-117/80/23A	8720						0.719	302	420	127000	645
R-128/105/33C	6760						0.925	363	392	142000	704

Specifications which provide more details for the proper and safe use of the described product are available upon request.
All specifications are subject to change without notice.