



TECHNICAL DATA CAPACITY CHARTS

9" GEAR HEAD

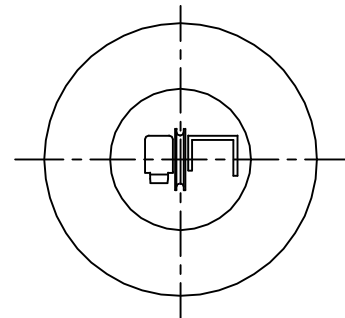
9" GEAR HEAD SHUTTLES CAPACITY (FEET / METER)

SHUTTLE	1/8" / 3.17mm	1/4" / 6.35mm	3/8" / 9.52mm	1/2" / 12.7mm	5/8" / 15.88mm	3/4" / 19.05mm	7/8" / 22.22mm	1" / 25.4mm
WIRE SIZE	MIN F.I.D. 1.000"/25.4mm	MIN F.I.D. 1.125"/28.5mm	MIN F.I.D. 1.343"/34.1mm	MIN F.I.D. 1.578"/40.0mm	MIN F.I.D. 1.828"/46.4mm	MIN F.I.D. 2.062"/52.3mm	MIN F.I.D. 2.312"/58.7mm	MIN F.I.D. 2.562"/65.0mm
AWG / mm	FEET/METERS	FEET/METERS	FEET/METERS	FEET/METERS	FEET/METERS	FEET/METERS	FEET/METERS	FEET/METERS
#12 / 2.05mm	11 / 3.3	23 / 7.0	35 / 10.6	46 / 14.0	58 / 17.6	70 / 21.3	81 / 24.6	93 / 28.3
#13 / 1.83mm	13 / 3.9	27 / 8.2	41 / 12.5	55 / 16.7	69 / 21.0	82 / 25.0	96 / 29.2	110 / 33.5
#14 / 1.63mm	18 / 5.4	37 / 11.2	55 / 16.7	74 / 22.5	92 / 28.0	111 / 33.8	129 / 39.3	148 / 45.1
#15 / 1.45mm	25 / 7.6	51 / 15.5	76 / 23.1	101 / 30.7	127 / 38.7	152 / 46.3	178 / 54.2	203 / 61.8
#16 / 1.29mm	29 / 8.8	57 / 17.3	86 / 26.2	114 / 34.7	143 / 43.5	172 / 52.4	200 / 60.9	229 / 69.8
#17 / 1.15mm	37 / 11.2	74 / 22.5	111 / 33.8	148 / 45.1	186 / 56.7	223 / 67.9	260 / 79.2	297 / 90.5
#18 / 1.02mm	48 / 14.6	97 / 29.5	146 / 44.5	195 / 59.4	244 / 74.3	292 / 89.0	341 / 103.9	390 / 118.9
#19 / 0.91mm	59 / 17.9	119 / 36.2	179 / 54.5	238 / 72.5	298 / 90.8	358 / 109.1	417 / 127.1	477 / 145.4
#20 / 0.81mm	74 / 22.5	148 / 45.1	223 / 67.9	297 / 90.5	371 / 113.1	445 / 135.6	520 / 158.5	594 / 181.0
#21 / 0.72mm	101 / 30.7	203 / 61.8	305 / 92.9	407 / 124.0	509 / 155.1	610 / 185.9	712 / 217.0	814 / 248.1
#22 / 0.64mm	134 / 40.8	269 / 82.0	403 / 122.8	537 / 163.7	672 / 204.8	806 / 245.7	941 / 286.8	1075 / 327.7
#23 / 0.57mm	148 / 45.1	297 / 90.5	445 / 135.6	593 / 180.7	742 / 226.2	890 / 271.3	1039 / 316.7	1187 / 361.8
#24 / 0.51mm	186 / 56.7	373 / 113.7	559 / 170.4	746 / 227.4	932 / 284.1	1119 / 341.1	1305 / 397.8	1492 / 454.8

9" GEAR HEAD / MINIMUM FINISHED COIL ID WINDING ON THE CENTER LINE

SHUTTLE	1/8" / 3.17mm	1/4" / 6.35mm	3/8" / 9.52mm	1/2" / 12.7mm	5/8" / 15.88mm	3/4" / 19.05mm	7/8" / 22.22mm	1" / 25.4mm
COIL HEIGHT	INCHES/mm	INCHES/mm	INCHES/mm	INCHES/mm	INCHES/mm	INCHES/mm	INCHES/mm	INCHES/mm
1" / 25.4mm	1.000 / 25.4	1.125 / 28.5	1.343 / 34.1	1.578 / 40.0	1.828 / 46.4	2.062 / 52.3	2.312 / 58.7	2.562 / 65.0
1-1/2" / 38.1mm	1.062 / 26.9	1.156 / 29.3	1.375 / 34.9	1.593 / 40.4	1.843 / 46.8	2.078 / 52.7	2.328 / 59.1	2.578 / 65.4
2" / 50.8mm	1.125 / 28.5	1.187 / 30.1	1.406 / 35.7	1.625 / 41.2	1.875 / 47.6	2.093 / 53.1	2.343 / 59.5	2.593 / 65.8
2-1/2" / 63.5mm	1.187 / 30.1	1.250 / 31.7	1.437 / 36.4	1.656 / 42.0	1.906 / 48.4	2.125 / 53.9	2.375 / 60.3	2.625 / 66.6
3" / 76.2mm	1.281 / 32.5	1.312 / 33.3	1.500 / 38.1	1.718 / 43.6	1.937 / 49.1	2.156 / 54.7	2.406 / 61.1	2.656 / 67.4
3-1/2" / 88.9mm	1.406 / 35.7	1.406 / 35.7	1.562 / 39.6	1.781 / 45.2	2.000 / 50.8	2.218 / 56.3	2.437 / 61.8	2.687 / 68.2

THE FOLLOWING MINIMUM FINISHED INSIDE DIAMETER / WIRE CAPACITY CHARTS HAVE BEEN CALCULATED TO **GUARANTEE PERFORMANCE**. FOR YEARS THESE TYPES OF CHARTS HAVE BEEN FORMATTED BY DRAWING A CIRCLE AROUND THE COMBINED WIDTH AND DEPTH OF THE RING GEAR AND MAGAZINE. THE MESUREMENT OF THIS CIRCLES DIAMETER BECAME THE MINIMUM FINISHED INSIDE COIL DIAMETER THAT THIS MAGAZINE WILL FIT THOUGH. OF COURSE WE KNOW THAT ALTHOUGH ON PAPER THIS LOOKS GREAT, *THIS IS NOT PRACTICAL IN ACTUAL COIL PRODUCTION*. WITH THESE NEW TECHNICAL CHARTS, JOVIL HAS INCLUDED TWO MAJOR FACTORS IN THE CALCULATIONS.



- 1- KEEPING THE WIRE GUIDE WHEEL ON THE CENTER LINE WITH THE CORE.
- 2- FINISHED COIL HEIGHTS.

JOVIL IS THE ONLY MANUFACTURER OF TOROIDAL WINDING MACHINERY SUPPLYING THESE TYPES OF PRACTICAL CHARTS. PLEASE KEEP THIS IN MIND WHEN COMPARING MINIMUM FINISHED INSIDE DIAMETERS OF JOVIL'S MAGAZINES TO OUR COMPETITORS.



TECHNICAL DATA CAPACITY CHARTS

9" HIGH SPEED HEAD

9" HIGH SPEED HEAD BELT SHUTTLE CAPACITY

WIRE SIZE	AWG/mm	#16 / 1.29	#18 / 1.02	#20 / 0.81	#22 / 0.64	#24 / 0.51	#26 / 0.40
SHUTTLE	FINISHED I.D.	FEET/METER	FEET/METER	FEET/METER	FEET/METER	FEET/METER	FEET/METER
205.0076	.500" / 12.70mm	35 / 10.6	60 / 18.2	85 / 25.9	135 / 41.1	230 / 70.1	350 / 106.7
205.0077	.625" / 15.87mm	55 / 16.7	95 / 28.9	140 / 42.6	220 / 67.0	375 / 114.3	600 / 182.9
205.0078	.750" / 19.05mm	75 / 22.8	125 / 38.1	200 / 60.9	300 / 91.4	500 / 152.4	850 / 259.1
205.0083	1.000" / 25.40mm	150 / 45.7	250 / 6.2	400 / 121.9	600 / 182.9	1000 / 304.8	1700 / 518.2

9" HSH BELT CHART

SHUTTLE	BELT	AWG / mm
205.0076	178.5039C 420L075	#26-#16 / 0.403-1.290 mm
205.0077		
205.0078		
205.0083		

9" HIGH SPEED HEAD SLIDER SHUTTLE CAPACITY CHART

WIRE SIZE	AWG/mm	#22 / 0.64	#24 / 0.51	#26 / 0.40	#28 / 0.32	#30 / 0.25	#32 / 0.20	#34 / 0.16	#36 / 0.12	#38 / 0.10	
SHUTTLE	F.I.D	FT/METER	FT/METER	FT/METER	FT/METER	FT/METER	FT/METER	FT/METER	FT/METER	FT/METER	SLIDER
205.0068	.500/12.70	-	-	267 / 81.4	350 / 106.7	560 / 170.7	1010 / 307.9	1400 / 426.8	2500 / 762.1	3500 / 1067.0	F
205.0069	.625/15.87	-	350 / 106.7	475 / 144.8	710 / 216.4	1095 / 333.8	1800 / 548.7	2700 / 823.1	5000 / 1524.3	7500 / 2286.6	F
205.0062	.750/19.05	360 / 109.7	550 / 167.6	785 / 239.3	1125 / 342.9	1850 / 564.0	3100 / 945.1	4500 / 1371.9	-	-	T

9" HSH SLIDER CHART

SHUTTLE	SLIDER	AWG / mm
205.0068 205.0069	F4	#38-#40 / .100-.079
	F5	#34-#36 / .160-.127
	F6	#30-#32 / .254-.201
	F7	#26-#28 / .403-.320
	F8	#22-#24 / .642-.510
205.0062	T5	#32-#34 / .201-.160
	T6	#28-#30 / .320-.254
	T7	#24-#26 / .510-.403
	T8	#20-#22 / .812-.642