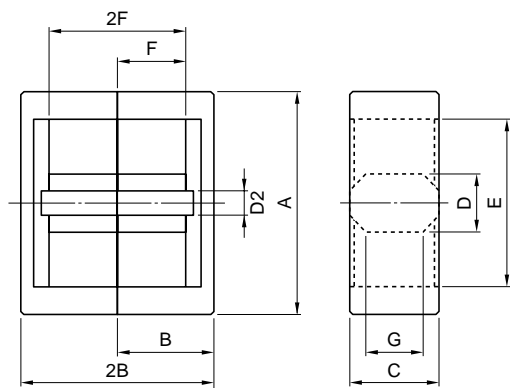


形状・寸法 / 特性

Shapes and dimensions/Characteristics



形状 Type	寸法 Dimensions(mm)									
	A	2B	B	C	D	D2	E min.	2F min.	F	G
EEH-22L	22.0±0.4	19.2	9.60±0.20	9.00±0.20	6.50±0.15	2.45	16.0	13.2	6.80±0.20	5.35
EEH-22K	22.0±0.4	29.0	14.5±0.2	9.00±0.20	6.50±0.15	2.45	16.0	23.0	11.7±0.2	5.35
EEH-28A	28.0±0.4	20.4	10.2±0.15	11.9±0.2	8.50±0.15	2.76	20.7	13.2	6.80±0.20	6.55
EEH-29M	29.3±0.4	18.2	9.10±0.20	12.05±0.25	8.50±0.15	3.5	21.6	10.6	5.50±0.20	7.2
EEH-29L	29.3±0.4	21.8	10.9±0.2	12.05±0.25	8.50±0.15	3.5	21.7	14.2	7.30±0.20	7.2
EEH-29K	29.3±0.4	29.2	14.6±0.2	12.05±0.25	8.50±0.15	3.5	21.7	21.6	11.0±0.2	7.2
EEH-29N	29.3±0.4	29.6	14.8±0.2	12.05±0.25	8.50±0.20	3.5	21.6	22.0	11.2±0.2	7.2
EEH-33A	33.0±0.5	25.0	12.5±0.2	11.85±0.25	8.35±0.30	2.9	25.5	17.5	8.93±0.18	7.3
EEH-33K	33.0±0.5	33.4	16.7±0.2	13.0±0.3	10.5±0.3	3.0	23.5	24.7	12.5±0.15	7.5

形状 Type	AL value(nH/N ²)±25%				コア定数 Core parameters					Weight (g/set)
	MB1	MB3	MB4	MBT1	C _i (mm ⁻¹)	Le(mm)	Ae(mm ²)	Amin(mm ²)	Ve(mm ³)	
EEH-22L	2210	2450	2450	3200	0.857	42.5	49.7	49.2	2110	12.0
EEH-22K	1640	1900	1900	2470	1.25	62.1	49.7	49.2	3090	16.8
EEH-28A	3330	3930	3930	4850	0.572	46.6	81.4	80.2	3790	22.0
EEH-29M	3770	4430	4430	5430	0.493	42.4	86.1	84.8	3660	21.6
EEH-29L	3360	3500	3500	4910	0.576	49.6	86.2	84.8	4280	24.7
EEH-29K	2740	3000	3000	4110	0.746	64.4	86.4	84.8	5570	31.0
EEH-29N	2710	3000	3000	4080	0.755	65.2	86.4	84.8	5640	31.3
EEH-33A	2790	3100	3100	4170	0.721	60.0	83.2	80.9	5000	28.1
EEH-33K	3250	3860	3860	4930	0.638	72.2	113	109	8180	45.8