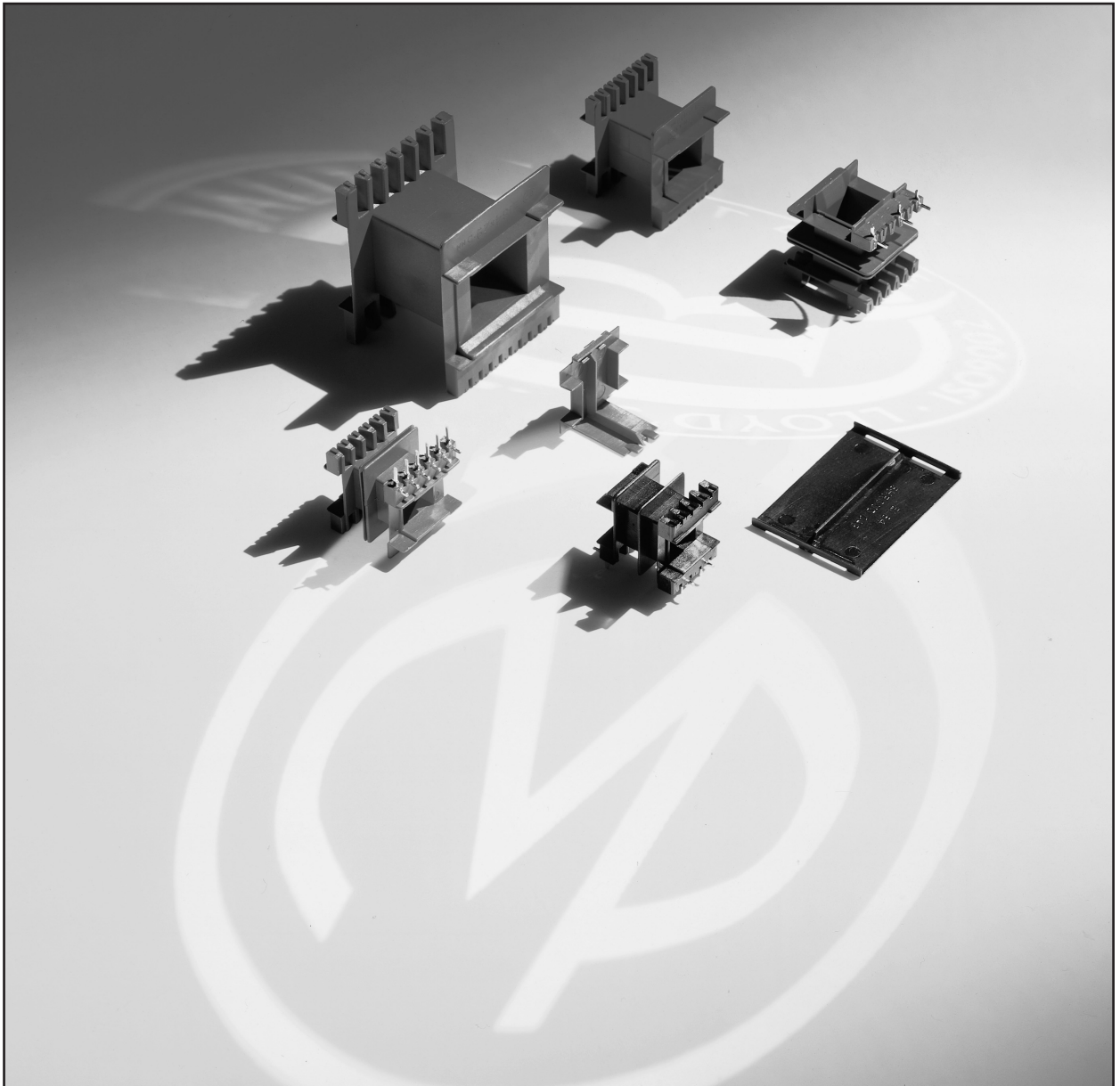




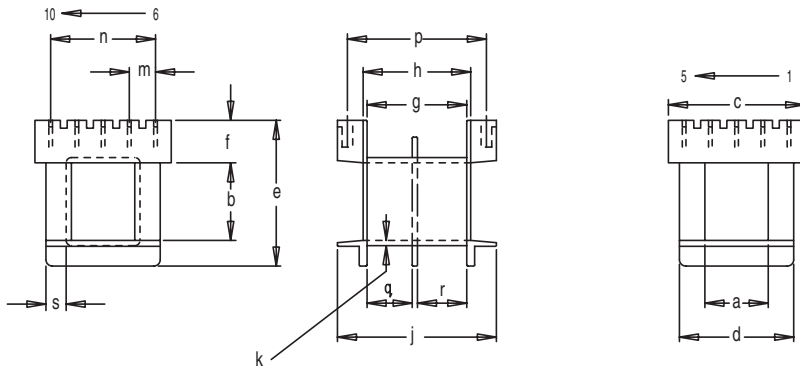
METRIC RANGE

- Designed to meet IEC 65 and 742 safety requirements
- Single and double chambers with insulation covers
- TBS600 series terminals designed to suit
- Rigid construction reduces winding distortion
- Accept Metric Laminations



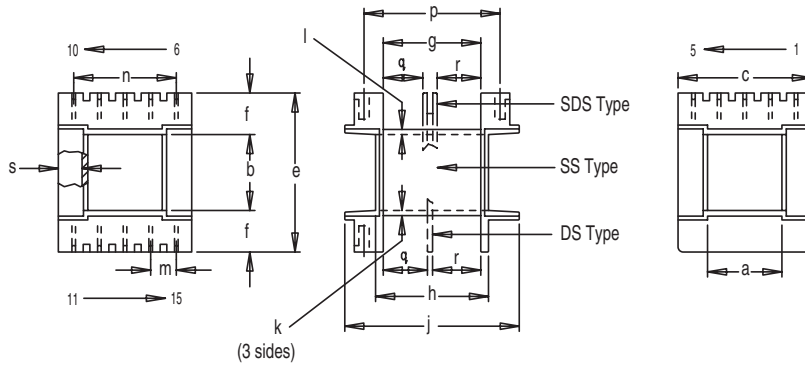


EI 30



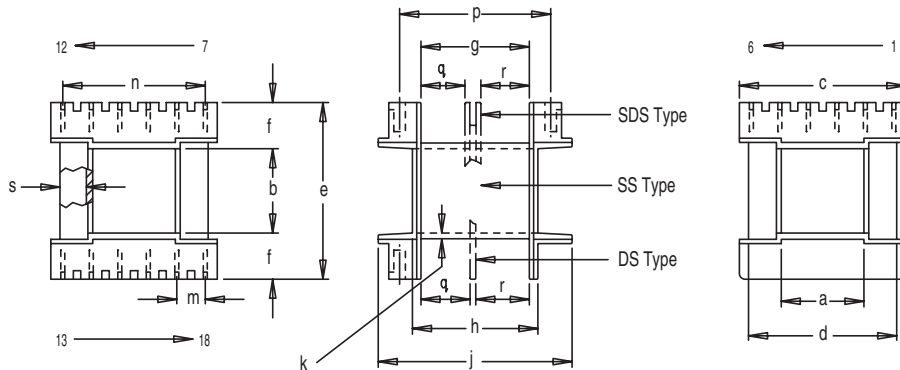
EI 30 x 10.5
 EI 30 x 12.5
 EI 30 x 15.5
 (10 Terminal bobbins)

EI 38



EI 38 x 13.6
 EI 38 x 20.0
 (15 Terminal bobbins)

EI 42 & EI 48



EI 42 x 14.8
 EI 48 x 16.8
 EI 48 x 20.8
 (18 Terminal bobbins)

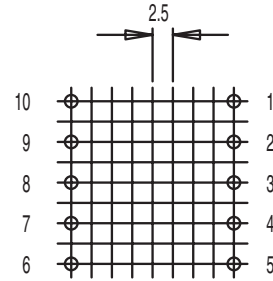
For use with TBS 600 series terminals

Standard materials: Nylon 66 glass reinforced / Nylon 66 glass reinforced to UL94V0 Dimensions in millimetres

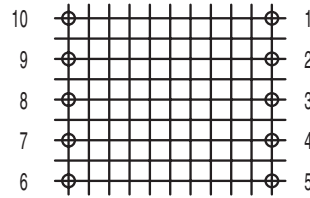
Most products are available direct from stock with same day despatch - please contact sales for details



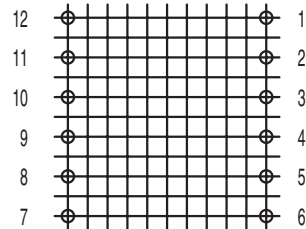
Metric Range



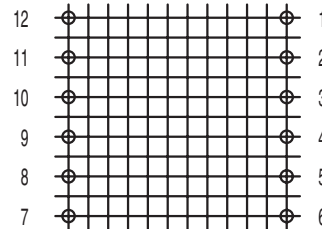
EI 30 x 10.5 - 12.5 - 15.5



EI 38 x 13.6 - 20.0



EI 42 x 14.8



EI 48 x 16.8 - 20.8

For use with all TBS 600 series terminals

Bobbin size	Type	No. of terminals available	a	b	c	d	e	f	g	h	j	k	l	m	n	p	q	r	s	Core Material	Frame VA [†]	Part No.
EI 30 x 10.5	SS	10 (2 x 5)	10.5	10.5	24.1	19.5	23.0	8.0	13.2	14.75	23.8	0.75		5.0	20.0	20.0			3.75	800	1.4	M00100
..	DS	5.3	6.9	..			M00200
EI 30 x 12.5	SS	10 (2 x 5)	10.5	12.5	24.1	19.5	25.0	8.0	13.2	14.75	23.8	0.75		5.0	20.0	20.0			3.75	800	1.7	M00300
..	DS	5.3	6.9	..			M00400
EI 30 x 15.5	SS	10 (2 x 5)	10.5	15.5	24.1	19.5	28.0	8.0	13.2	14.75	23.8	0.75		5.0	20.0	20.0			3.75	800	2.0	M00500
..	DS	5.3	6.9	..			M00600
EI 38 x 13.6	SS	15 (3 x 5)	13.3	13.6	23.5		28.0	7.2	15.9	18.7	30.7	1.0	1.4	5.0	20.0	25.0			4.1	800	3.0	M01200
..	DS	6.4	8.5	..			M01300
..	SDS	5.7	7.7	..			M01400
EI 38 x 20.0	SS	15 (3 x 5)	13.3	20.0	25.0		34.4	7.2	15.9	18.7	30.7	1.0	1.0	5.0	20.0	25.0			4.85	800	4.2	M01750
..	DS	6.4	8.5	..			M01760
..	SDS	23.5	5.7	7.7	3.85			M01770
EI 42 x 14.8	SS	18 (3 x 6)	14.5	14.8	29.2	26.0	31.0	8.1	17.5	20.5	32.5	1.0		5.0	25.0	25.0			4.75	800	4.0	M01800
..	DS	7.25	9.25	..			M01900
..	SDS	6.4	8.3	..			M02000
EI 48 x 16.8	SS	18 (3 x 6)	16.5	16.8	30.0	30.0	34.5	8.85	20.5	23.5	35.5	1.0		5.0	25.0	27.5			5.75	800	7.3	M02300
..	DS	9.75	9.75	..			M02400
..	SDS	9.0	9.0	5.5			M02500
EI 48 x 20.8	SS	18 (3 x 6)	16.5	20.8	30.0	30.0	38.5	8.85	20.5	23.5	36.9	1.0		5.0	25.0	27.5			5.75	800	8.8	M02800
..	DS	9.75	9.75	..			M02900
..	SDS	9.0	9.0	5.5			M03000

Standard materials: Nylon 66 glass reinforced / Nylon 66 glass reinforced to UL94V0 Dimensions in millimetres

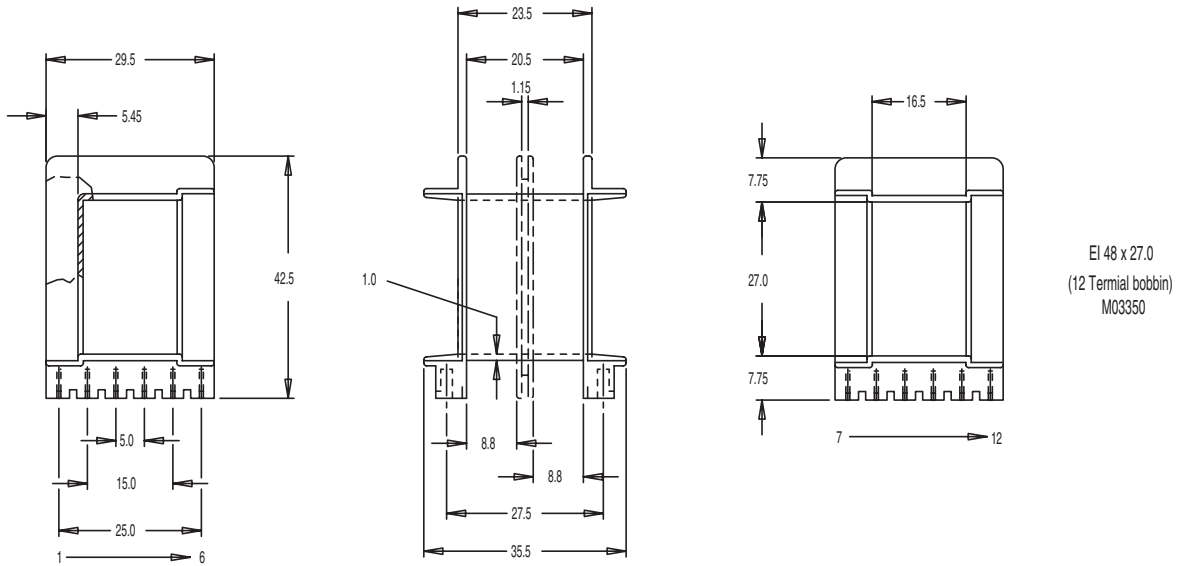
*Also available with T.C.O. - Part No. M01450 [†]Refer to VA Ratings - Section 9 Page 2.

For wire pin versions please refer to Section 3 Page 14.

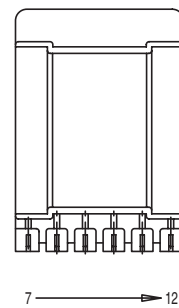
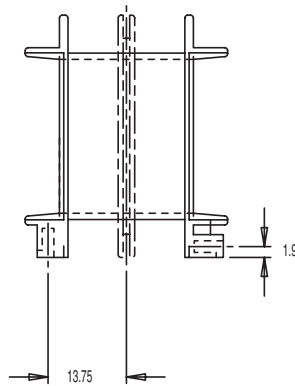
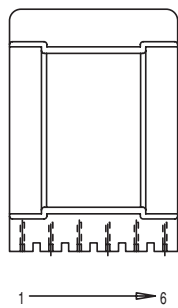
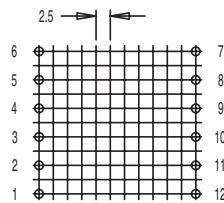
Miles-Platts terminals & wire are now being converted to lead-free
- please refer to technical sales for details



EI 48 X 27.0



EI 48 x 27.0
(12 Terminal bobbin)
M03350



EI 48 x 27.0
(12 Terminal bobbin)
6 Normal 6 at 90
M03360

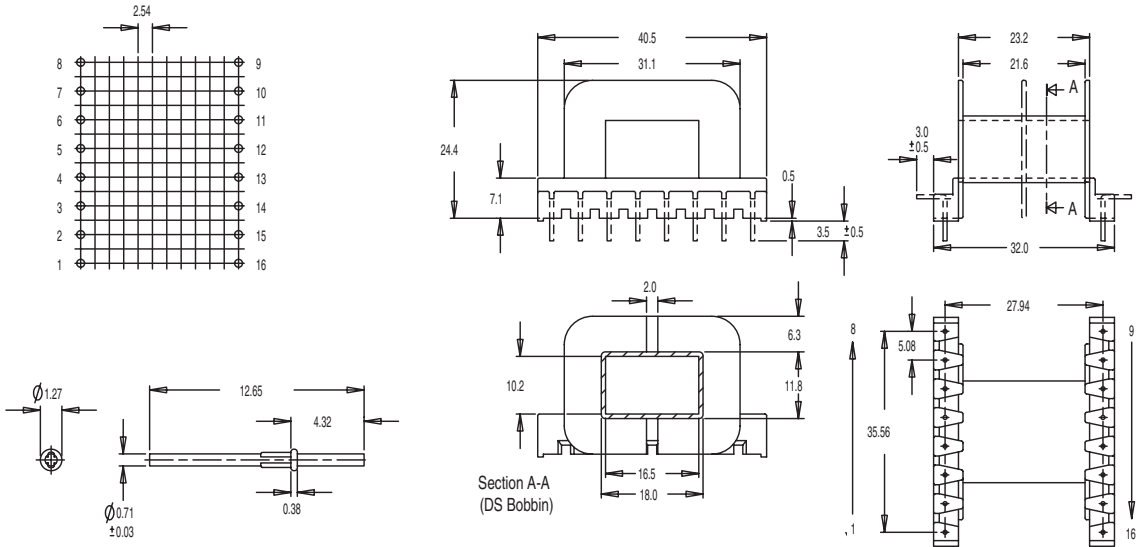
For use with all TBS 600 series terminals

Bobbin size	Type	No. of terminals available	a	b	c	d	e	f	g	h	j	k	l	m	n	p	q	r	s	Core Material	Frame VA [†]	Part No.	
EI 48 x 27	SDS	12 (2 x 6)	16.5	27.0	29.5	29.5	42.5	7.75	20.5	23.5	35.5	1.0		5.0	25.0	27.5	8.8	8.8		800		M03350	
EI 48 x 27	SDS	M03360

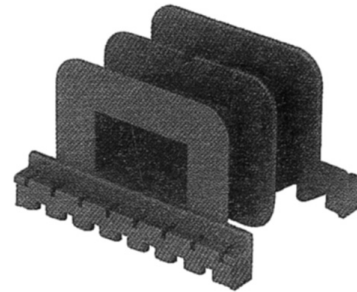
Standard materials: Nylon 66 glass reinforced / Nylon 66 glass reinforced to UL94V0 Dimensions in millimetres
 *Also available with T.C.O. - Part No. MO1450 †Refer to VA Ratings - Section 9 Page 2.



EI 48 X 10 (639A & 13 AMP.)



Pin: TBS 028-498-170



Bobbin size	Type	No. of pins available	Pin Size	Core Material	Frame VA [†]	Part No.
EI 41 x 11	SDS	12 (2 x 6)	0.635	TBA	TBA	VM0950
EI 41 x 11	Cover					VM0951
EI 48 x 10	SS	16 (2 x 8)	Ø0.71	800-50	4.7	VM0860
EI 48 x 10	DS	16 (2 x 8)	Ø0.71			VM0870

Standard materials: Nylon 66 glass reinforced to UL94V0 Pin material: Half Hard Brass
Dimensions in millimetres [†]Refer to VA Ratings - Section 9 Page 2.

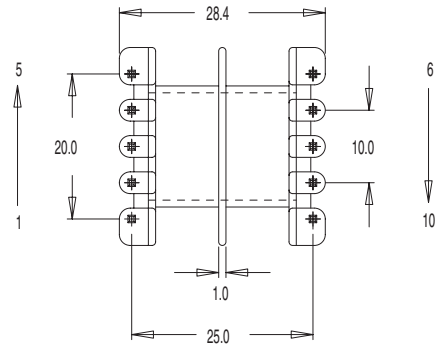
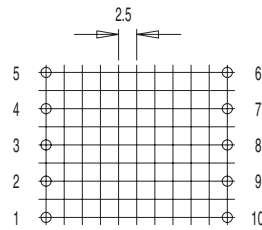
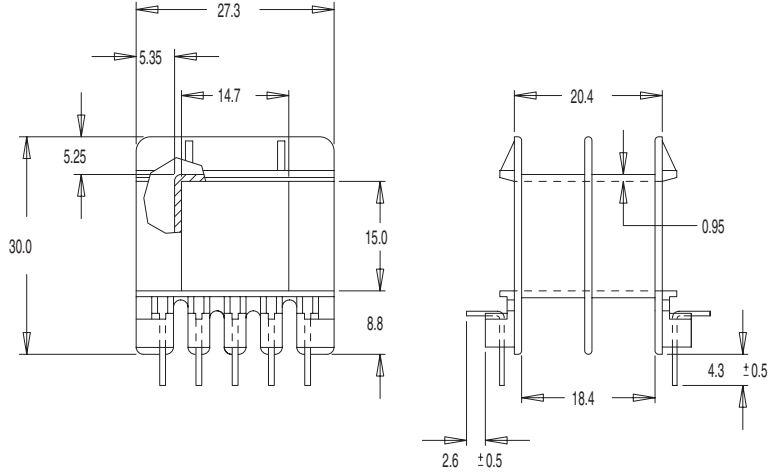
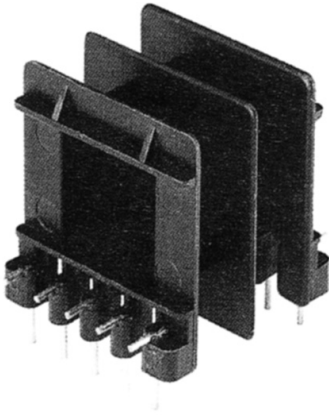


Coil Formers For Laminations

MILES · PLATTS

EI 42 X 15

Section 3

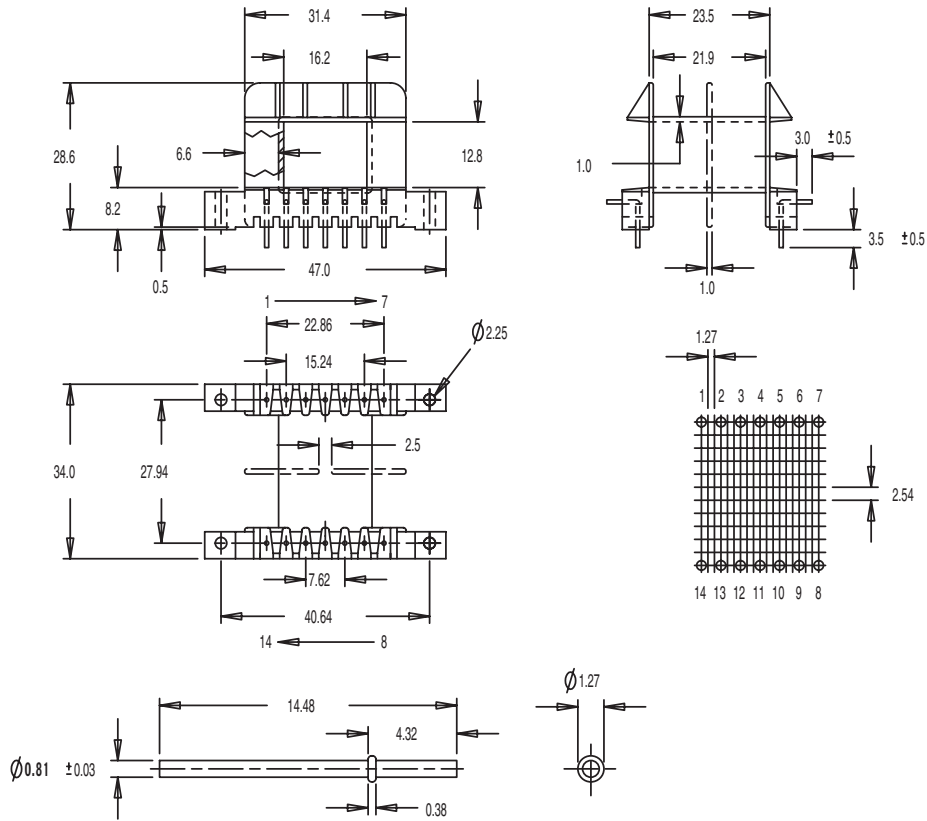


Bobbin size	Type	No. of pins available	Pin size	Part No.
EI 42 x 15	DS	10 (2 x 5)	0.635 Sq.	VM0810

Standard materials: Nylon 66 glass reinforced /
 Nylon 66 glass reinforced to UL94V0
 Pin material: Phosphorus Bronze Dimensions in millimetres



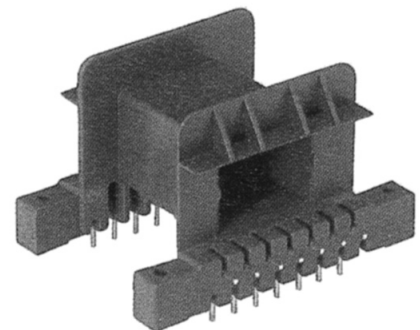
EI 48 X 12.5



Pin: TBS 032-570-170

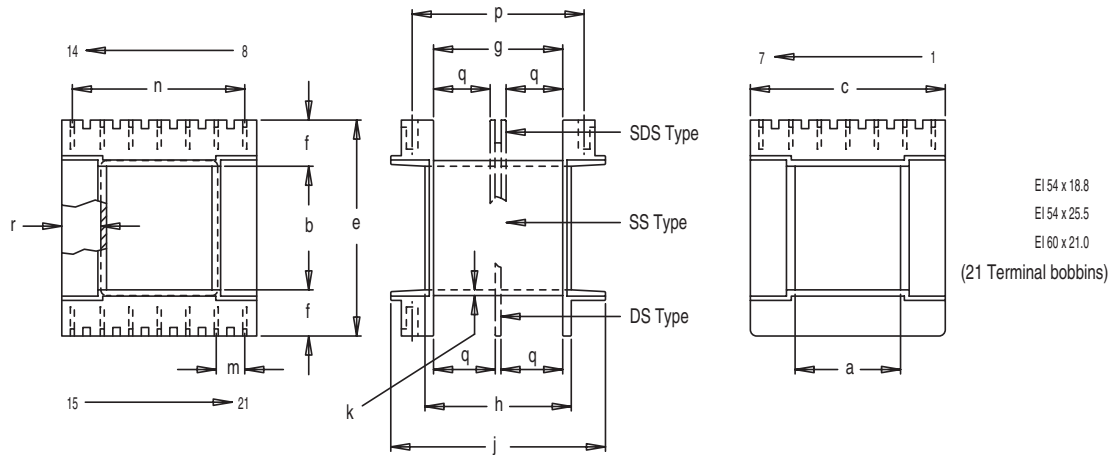
Bobbin size	Type	No. of pins available	Pin Size	Core Material	Frame VA ¹	Part No.
EI 48 x 12.5	SS	14 (2 x 7)	Ø0.81	800-50	91	VM0800
EI 48 x 12.5	DS	14 (2 x 7)	Ø0.81			VM0801

Standard materials: Nylon 66 glass reinforced /
 Nylon 66 glass reinforced to UL94V0 Pin material: Half Hard Brass
 Dimensions in millimetres ¹Refer to VA Ratings - Section 9 Page 2.

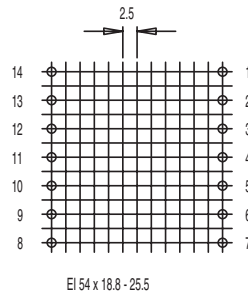
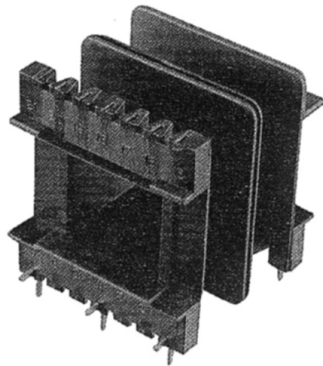




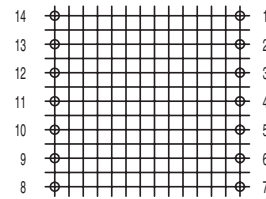
EI 54 & EI 60



EI 54 x 18.8
EI 54 x 25.5
EI 60 x 21.0
(21 Terminal bobbins)



EI 54 x 18.8 - 25.5



EI 60 x 21.0

For use with all TBS 600 series terminals

Bobbin size	Type	No. of terminals available	a	b	c	e	f	g	h	j	k	m	n	p	q	r	Core Material	Frame VA†	Part No.
EI 54 x 18.8	SS	21 (3 x 7)	18.5	18.8	34.0	39.0	10.1	23.5	26.5	38.5	1.0	5.0	30.0	30.0		6.75	800	12.4	M03400
..	DS	11.25	..			M03500
..	SDS	10.4	6.5			M03600
EI 54 x 25.5	SS	21 (3 x 7)	18.5	25.5	34.0	45.7	10.1	23.5	26.5	38.7	1.0	5.0	30.0	30.0		6.75	800	15.8	M04100
..	DS	11.25	..			M04200
..	SDS	10.4	6.5			M04300
EI 60 x 21.0	SS	21 (3 x 7)	20.6	21.0	38.0	42.2	10.6	26.0	29.1	41.6	1.0	5.0	30.0	32.5		7.7	800	18.6	M04600
..	DS	12.5	..			M04700
..	SDS	11.6	7.45			M04800

Standard materials: Nylon 66 glass reinforced / Nylon 66 glass reinforced to UL94V0 Dimensions in millimetres
*Also available with T.C.O. - Part No. MO4900 †Refer to VA Ratings - Section 9 Page 2.

For wire pin versions please refer to Section 3 Page 14.

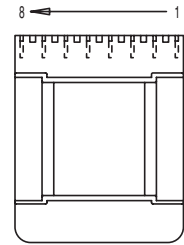
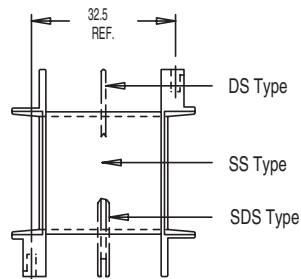
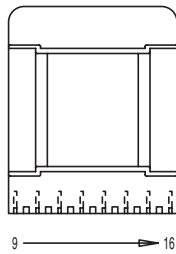
Miles-Platts terminals & wire are now being converted to lead-free
- please refer to technical sales for details



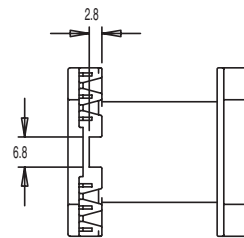
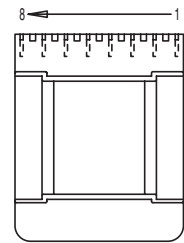
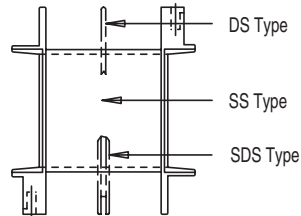
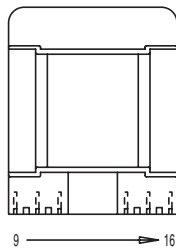
Metric Range

EI 60 X 25.5

Bobbin with Diagonal
Terminal Strips
M05104D
M05106D
M05108D



Bobbin with Diagonal
Terminal Strips
and T.C.O.
M05105D
M05107D
M05109D



For use with all TBS 600 series terminals

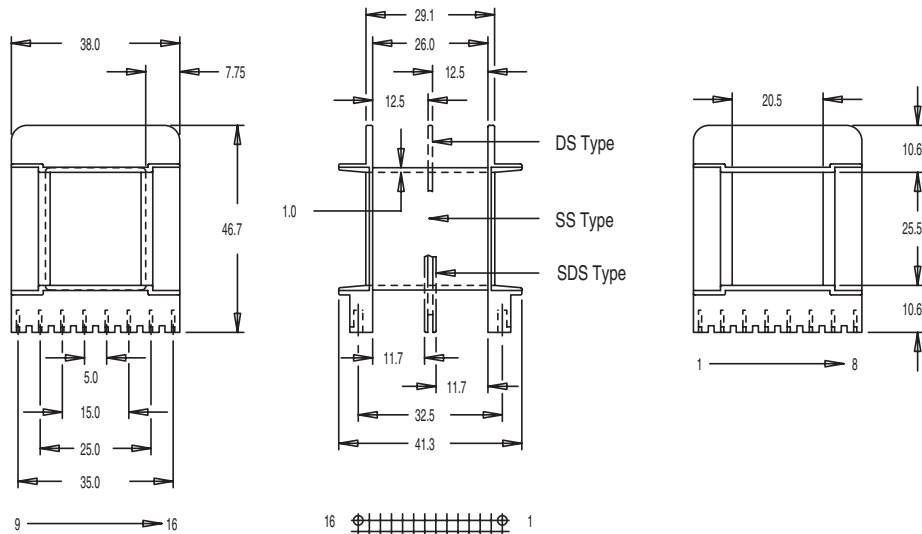
Bobbin size	Type	No. of terminals available	a	Core Material	Frame VA†	Part No.
EI 60 x 25.5	SS	16 (2 x 8)		800	21.8	M05104
EI 60 x 25.5	DS	16 (2 x 8)				M05106
EI 60 x 25.5	SDS	16 (2 x 8)				M05108
EI 60 x 25.5	SS	16 (2 x 8)	△	800	21.8	M05104D
EI 60 x 25.5	DS	16 (2 x 8)	△			M05106D
EI 60 x 25.5	SDS	16 (2 x 8)	△			M05108D
EI 60 x 25.5	SS	14 (8 + 6)	+	800	21.8	M05105
EI 60 x 25.5	DS	14 (8 + 6)	+			M05107
EI 60 x 25.5	SDS	14 (8 + 6)	+			M05109
EI 60 x 25.5	SS	14 (8 + 6)	+△	800	21.8	M05105D
EI 60 x 25.5	DS	14 (8 + 6)	+△			M05107D
EI 60 x 25.5	SDS	14 (8 + 6)	+△			M05109D

Standard materials: Nylon 66 glass reinforced / Nylon 66 glass reinforced to UL94V0 Dimensions in millimetres
 †Part with T.C.O. △ Part with diagonal terminal strip †Refer to VA Ratings - Section 9 Page 2.

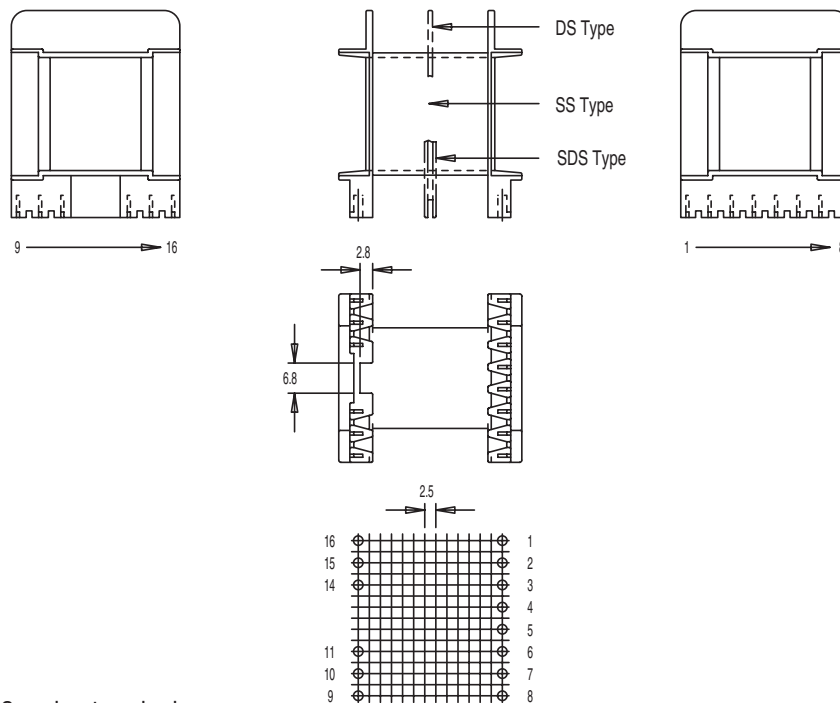


EI 60 X 25.5

Standard bobbin
M05104
M05106
M05108



Bobbin
with T.C.O.
M05105
M05107
M05109



For use with all TBS 600 series terminals

Standard materials: Nylon 66 glass reinforced / Nylon 66 glass reinforced to UL94V0 Dimensions in millimetres

For further technical information please contact sales@milesplatts.co.uk or www.milesplatts.co.uk

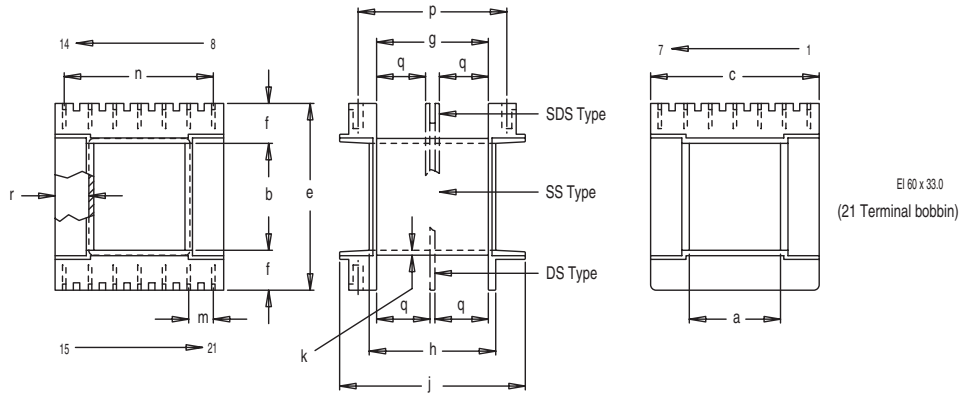




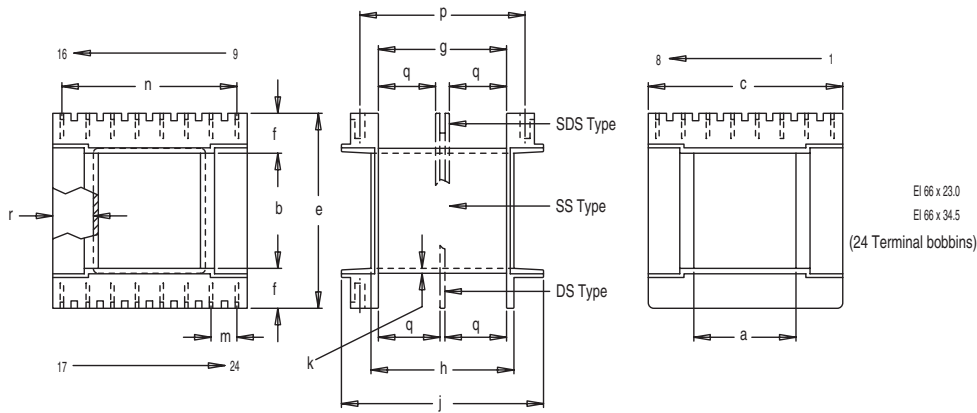
Metric Range

MILES · PLATTS

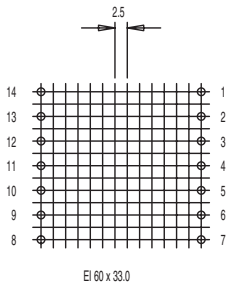
Section 3



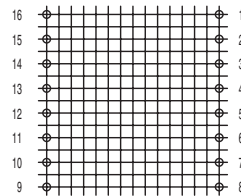
EI 60 x 33.0
(21 Terminal bobbin)



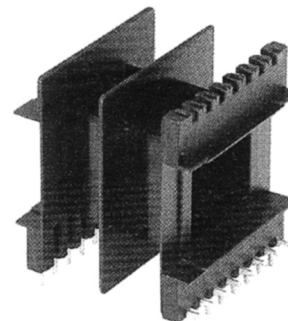
EI 66 x 23.0
EI 66 x 34.5
(24 Terminal bobbins)



EI 60 x 33.0



EI 66 x 23.0 - 34.5



For use with all TBS 600 series terminals

Bobbin size	Type	No. of terminals available	a	b	c	e	f	g	h	j	k	m	n	p	q	r	Core Material	Frame VA†	Part No.
EI 60 x 33.0	SS	21 (3 x 7)	20.6	33.0	38.0	54.2	10.6	26.0	29.1	41.6	1.0	5.0	30.0	32.5		7.7	800	29.1	M05150
..	DS	12.5	M05160
..	SDS	11.6	M05170
EI 66 x 23.0	SS	24 (3 x 8)	22.6	23.0	42.0	46.0	11.5	29.5	32.5	44.6	1.0	5.0	35.0	35.0		8.7	800	29.8	M05300
..	DS	14.25	M05400
..	SDS	13.35	M05500
EI 66 x 34.5	SS	24 (3 x 8)	22.6	34.5	42.0	57.5	11.5	29.5	32.5	44.6	1.0	5.0	35.0	35.0		7.7	800	41.3	M05900
..	DS	14.25	M06000
..	SDS	13.35	M06100

Standard materials: Nylon 66 glass reinforced / Nylon 66 glass reinforced to UL94V0 Dimensions in millimetres

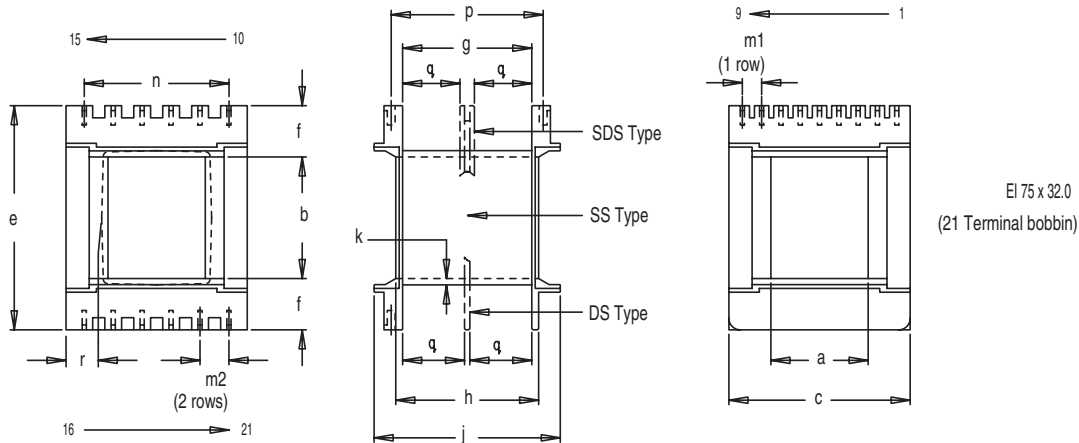
†Refer to VA Ratings - Section 9 Page 2.

For further technical information please contact sales
Tel: +44 (0) 116 262 2593 Fax: +44 (0) 116 253 7889

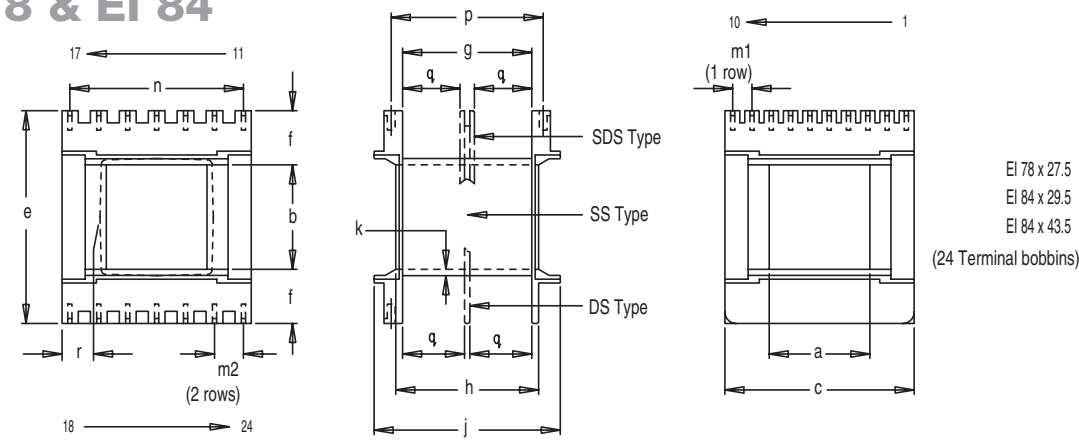
Section 3



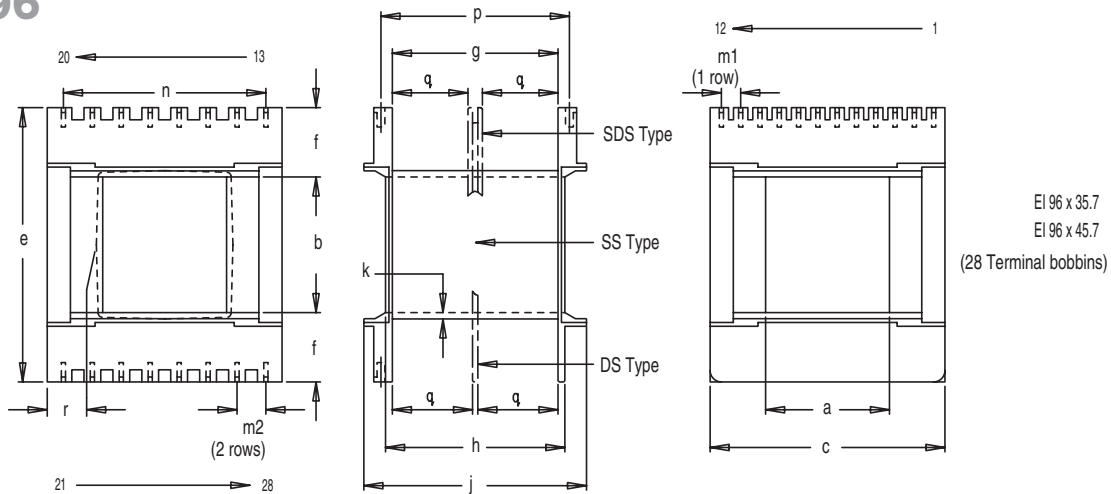
EI 75



EI 78 & EI 84



EI 96



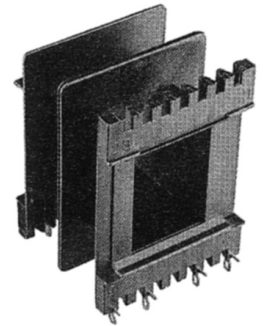
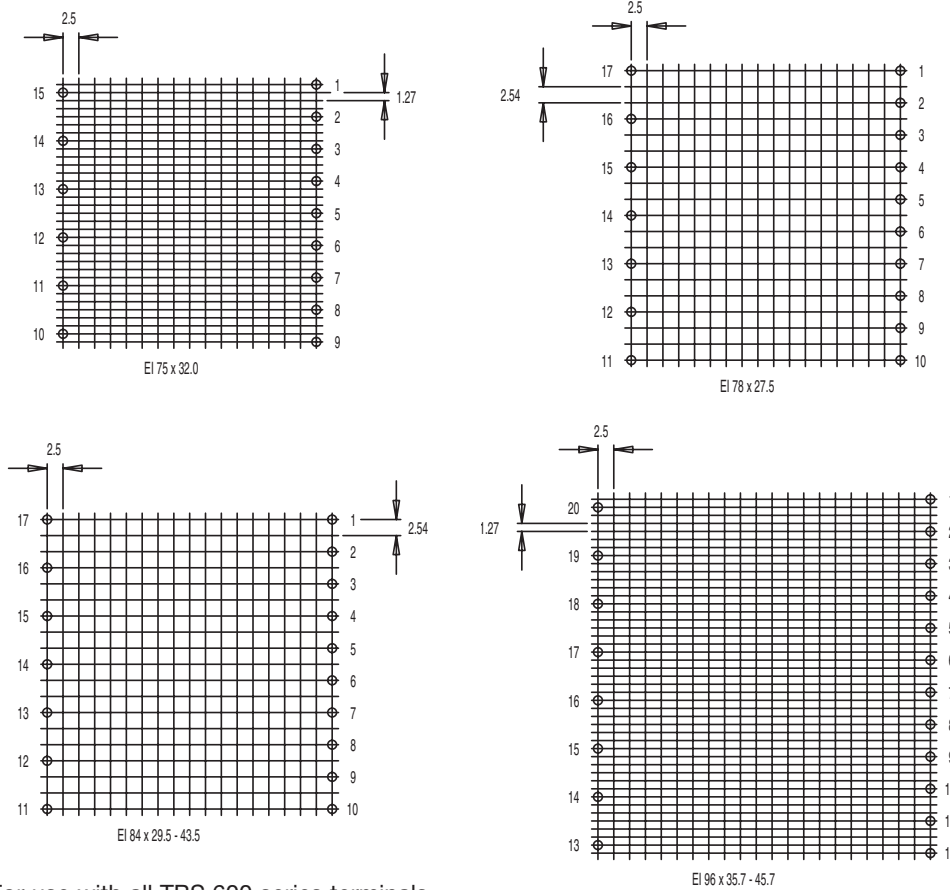
For use with all TBS 600 series terminals

Standard materials: Nylon 66 glass reinforced / Nylon 66 glass reinforced to UL94V0 Dimensions in millimetres

Most products are available direct from stock with same day despatch - please contact sales for details



Metric Range



For use with all TBS 600 series terminals

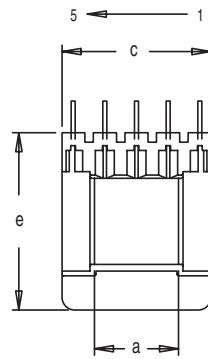
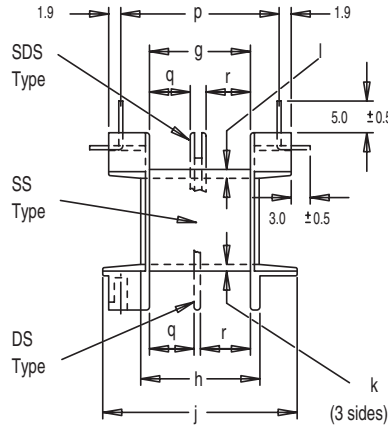
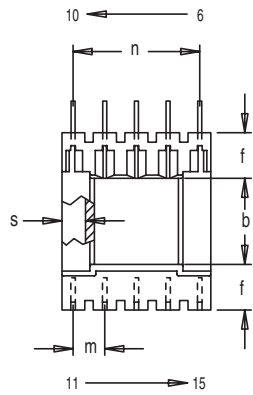
Bobbin size	Type	No. of terminals available	a	b	c	e	f	g	h	j	k	m1	m2	n	p	q	r	Core Material	Frame VA [†]	Part No.	
EI 75 x 32.0	SS	21 (1 x 9) + (2 x 6)	25.6	32.0	47.7	59.0	13.5	34.0	37.0	49.0	1.3	5.08	7.62	38.1	40.0		9.25	800	58.9	M06400	
..	DS	16.5	M06500
..	SDS	15.65	9.0	M06600
EI 78 x 27.5	SS	24 (1 x 10) + (2 x 7)	26.5	27.5	49.8	56.0	14.25	35.5	38.5	50.7	1.4	5.08	7.62	45.72	42.5		9.8	800	58.8	M07100	
..	DS	17.25	M07200
..	SDS	16.35	9.55	M07300
EI 84 x 29.5	SS	24 (1 x 10) + (2 x 7)	28.6	29.5	53.8	60.8	15.65	38.2	41.2	53.4	1.5	5.08	7.62	45.72	45.0		10.8	800	85.7	M07800	
..	DS	18.6	M07900
..	SDS	17.7	10.55	M08000
EI 84 x 43.5	SS	24 (1 x 10) + (2 x 7)	28.6	43.5	53.8	74.8	15.65	38.2	41.2	53.4	1.5	5.08	7.62	45.72	45.0		10.25	800	114.3	M08500	
..	DS	18.6	M08600
..	SDS	17.7	10.0	M08700
EI 96 x 35.7	SS	28 (1 x 12) + (2 x 8)	32.6	35.7	61.8	72.2	18.25	43.7	47.2	59.4	1.5	5.08	7.62	53.34	52.5		12.45	800	144.0	M09000	
..	DS	21.35	M09100
..	SDS	20.25	12.2	M09200
EI 96 x 45.7	SS	28 (1 x 12) + (2 x 8)	32.6	45.7	61.8	82.2	18.25	43.7	47.2	59.4	1.5	5.08	7.62	53.34	52.5		12.35	800	173.0	M09700	
..	DS	21.35	M09800
..	SDS	20.25	12.1	M09900
EI 96 x 45.7	SS	Staked Terminals	00.0	00.0	00.0	00.0	00.0	00.0	00.0	500.0	00.0	00.0	00.0	00.0	00.0	00.0	00.0	000	00.0	..	M09705*
..	DS	M09805
..	SDS	M09905

Standard materials: Nylon 66 glass reinforced / Nylon 66 glass reinforced to UL94V0 Dimensions in millimetres
[†]Refer to VA Ratings - Section 9 Page 2. *See web drawings.

Miles-Platts terminals & wire are now being converted to lead-free
 - please refer to technical sales for details

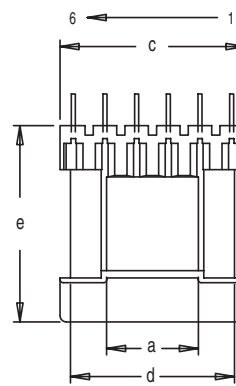
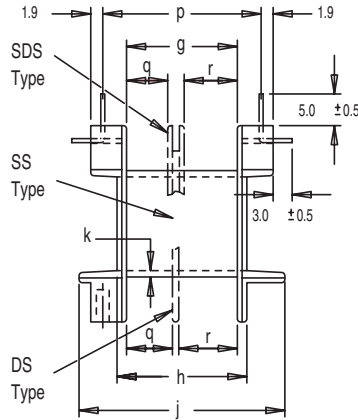
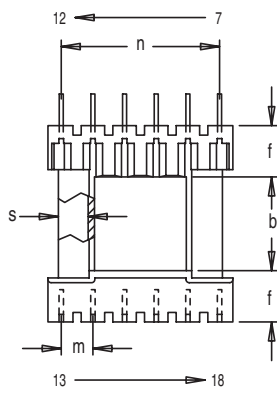


EI 38



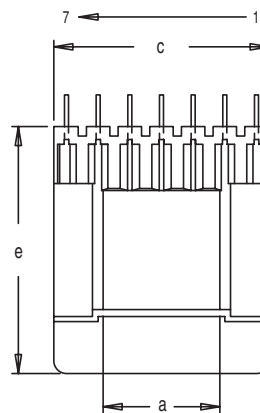
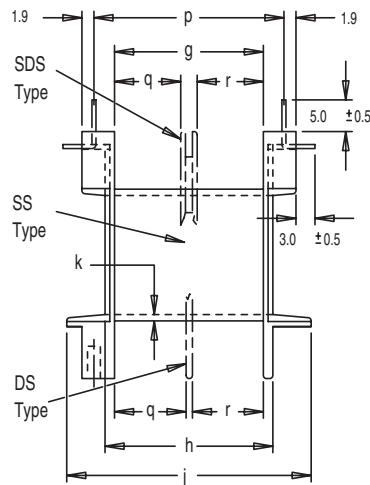
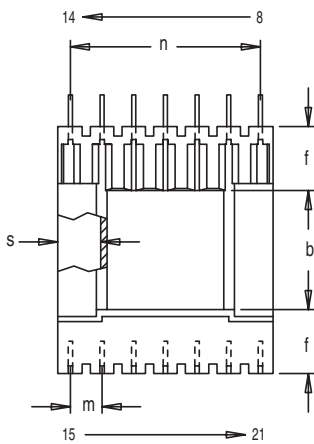
EI 38 x 13.6
EI 38 x 20.0
(15 Terminal bobbins)

EI 42 & EI 48



EI 42 x 14.8
EI 48 x 16.8
EI 48 x 20.8
(18 Terminal bobbins)

EI 54 & EI 60



EI 54 x 18.8
EI 60 x 21.0
(21 Terminal bobbins)

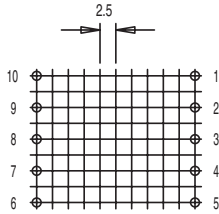
For use with TBS 600 series terminals (1 row) and 0.635 Sq. Phosphor Bronze wire (2 rows)

Standard materials: Nylon 66 glass reinforced / Nylon 66 glass reinforced to UL94V0 Dimensions in millimetres

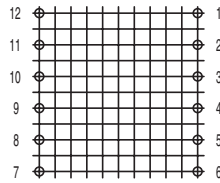


Metric Range

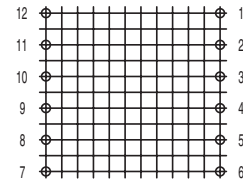
MILES · PLATTS



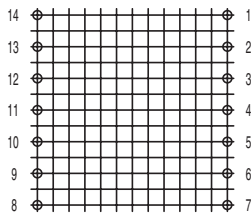
EI 38 x 13.6 - 20.0



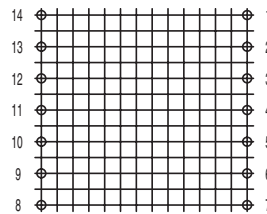
EI 42 x 14.8



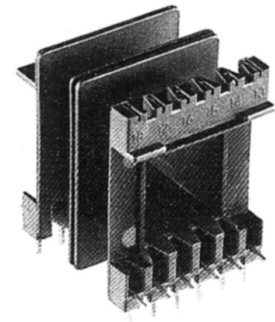
EI 48 x 16.8 - 20.8



EI 54 x 18.8



EI 60 x 21.0

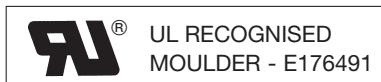


Bobbin size	Type	TBS 600 terms	No. of 0.635 Sq. pins	a	b	c	d	e	f	g	h	j	k	l	m	n	p	q	r	s	Core Material	Frame VA [†]	Part No.
EI 38 x 13.6	SS	5	10 (2 x 5)	13.3	13.6	23.5		28.0	7.2	15.9	18.7	30.7	1.0	1.4	5.0	20.0	25.0			4.1	800	3.0	M01201
..	DS	6.4	8.5	..			M01301
..	SDS	5.7	7.7	..			M01401
EI 38 x 20.0	SS	5	10 (2 x 5)	13.3	20.0	25.0		34.4	7.2	15.9	18.7	30.7	1.0	1.0	5.0	20.0	25.0			4.85	800	4.2	M01751
..	DS	6.4	8.5	..			M01761
..	SDS	23.5		5.7	7.7	3.85			M01771
EI 42 x 14.8	SS	6	12 (2 x 6)	14.5	14.8	29.2	26.0	31.0	8.1	17.5	20.5	32.5	1.0		5.0	25.0	25.0			4.75	800	4.0	M01801
..	DS	7.25	9.25	..			M01901
..	SDS	6.4	8.3	..			M02001
EI 48 x 16.8	SS	6	12 (2 x 6)	16.5	16.8	30.0	30.0	34.5	8.85	20.5	23.5	35.5	1.0		5.0	25.0	27.5			5.75	800	7.3	M02301
..	DS	9.75	9.75	..			M02401
..	SDS	9.0	9.0	5.5			M02501
EI 48 x 20.8	SS	6	12 (2 x 6)	16.5	20.8	30.0	30.0	38.5	8.85	20.5	23.5	36.9	1.0		5.0	25.0	27.5			5.75	800	8.8	M02801
..	DS	9.75	9.75	..			M02901
..	SDS	9.0	9.0	5.5			M03001
EI 54 x 18.8	SS	7	14 (2 x 7)	18.5	18.8	34.0		39.0	10.1	23.5	26.5	38.5	1.0		5.0	30.0	30.0			6.75	800	12.4	M03401
..	DS	11.25	11.25	..			M03501
..	SDS	10.4	10.4	6.5			M03601
EI 60 x 21.0	SS	7	14 (2 x 7)	20.6	21.0	38.0		42.2	10.6	26.0	29.1	41.6	1.0		5.0	30.0	32.5			7.7	800	18.6	M04601
..	DS	12.5	12.5	..			M04701
..	SDS	11.6	11.6	7.45			M04801

Standard materials: Nylon 66 glass reinforced / Nylon 66 glass reinforced to UL94V0 Dimensions in millimetres

[†]Refer to VA Ratings - Section 9 Page 2.

For further technical information please contact
sales@milesplatts.co.uk or www.milesplatts.co.uk

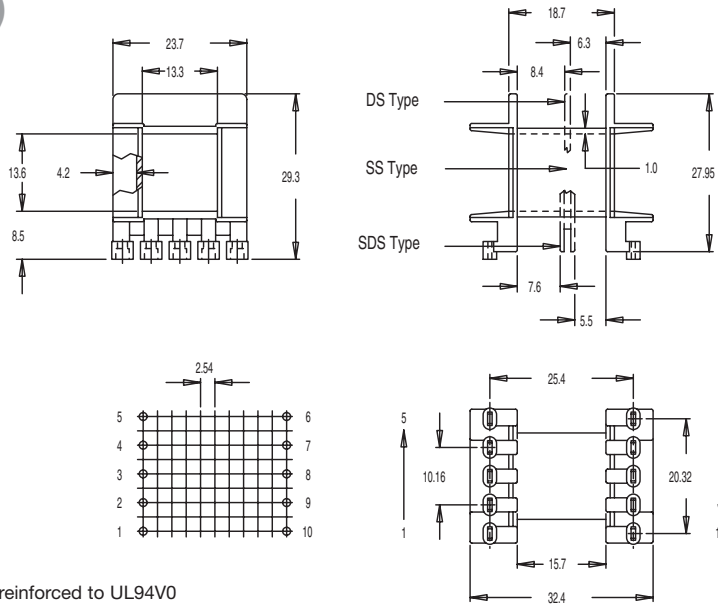




Metric Range

Section 3

EI 38 X 13.6
(TBS 900 & 901 TERMINALS)



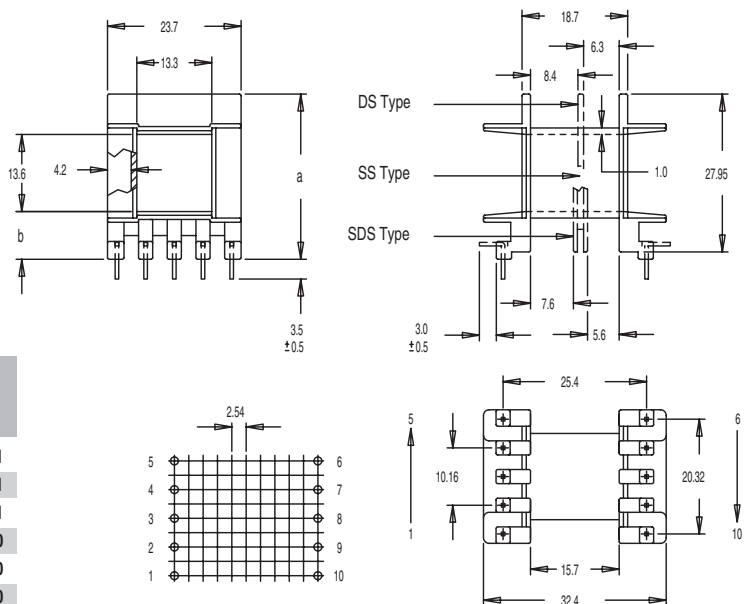
Bobbin size	Type	Terminal Type	No. of Pin available	Part No.
EI 38 x 13.6	SS	TBS 900 & 901	10 (2 x 5)	M00700
EI 38 x 13.6	DS	TBS 900 & 901	10 (2 x 5)	M00800
EI 38 x 13.6	SDS	TBS 900 & 901	10 (2 x 5)	M00900

Standard materials: Nylon 66 glass reinforced / Nylon 66 glass reinforced to UL94V0

Dimensions in millimetres

Some full insulation covers listed have hooks for clipping together, this feature is being phased out.

EI 38 X 13.6
(SQUARE WIRE PINS)



Bobbin size	Type	Dim a	Dim b	No. of pins available	Pin size	Part No.
EI 38 x 13.6	SS	29.3	8.5	10 (2 x 5)	0.635 Sq.	M00701
EI 38 x 13.6	DS	29.3	8.5	10 (2 x 5)	0.635 Sq.	M00801
EI 38 x 13.6	SDS	29.3	8.5	10 (2 x 5)	0.635 Sq.	M00901
EI 38 x 13.6	SS	30.3	9.5	10 (2 x 5)	0.635 Sq.	M00710
EI 38 x 13.6	DS	30.3	9.5	10 (2 x 5)	0.635 Sq.	M00810
EI 38 x 13.6	SDS	30.3	9.5	10 (2 x 5)	0.635 Sq.	M00910

Standard materials: Nylon 66 glass reinforced / Nylon 66 glass reinforced to UL94V0

Pin material: Phosphor Bronze. Dimensions in millimetres

Miles-Platts terminals & wire are now being converted to lead-free - please refer to technical sales for details



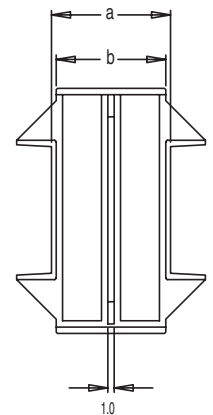
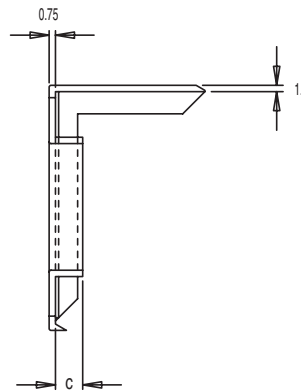
Metric Range

FULL INSULATION COVERS

Bobbin size	a	b	c	Part No.
EI 38 x 13.6	18.7	17.2	4.5	M01700
EI 38 x 20.0	18.7	17.2	4.5	M01790
EI 42 x 14.8	20.5	19.0	4.8	M02200
EI 48 x 16.8	23.5	22.0	5.7	M02700
EI 48 x 20.8	23.5	22.0	5.7	M03200
EI 48 x 27.0	00.0	00.0	0.0	M03370*
EI 54 x 18.8	26.5	25.0	6.0	M04000
EI 54 x 25.5	26.5	25.0	6.0	M04500
EI 60 x 21.0	29.3	27.8	6.0	M05100
EI 60 x 25.5	29.0	27.5	6.0	M05120
EI 60 x 33.0	29.3	27.8	6.0	M05190
EI 66 x 23.0	32.5	31.0	6.1	M05800
EI 66 x 34.5	32.5	31.0	6.1	M06300
EI 75 x 32.0	37.0	35.5	6.1	M06900
EI 78 x 27.5	38.5	37.0	6.0	M07600
EI 84 x 29.5	41.2	39.7	6.1	M08300



For bobbins not served by full insulation covers, side and top covers are available. Details available on request.



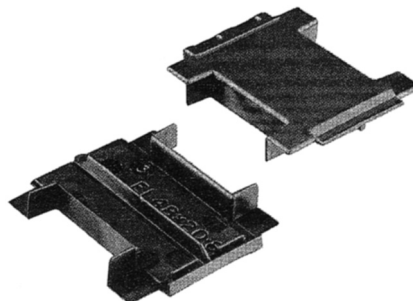
Standard materials: Nylon 66 / Nylon 66 to UL94V0

Dimensions in millimetres

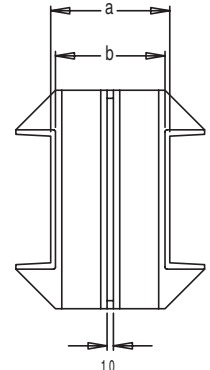
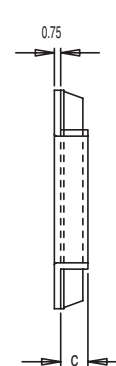
Some full insulation covers listed have hooks for clipping together, this feature is being phased out. *See web drawings.

HALF INSULATION COVERS

Bobbin size	a	b	c	Part No.
EI 38 x 13.6	18.7	17.2	4.4	M01500
EI 38 x 20.0	18.7	17.2	4.4	M01780
EI 42 x 14.8	20.5	19.0	4.85	M02100
EI 48 x 16.8	23.5	22.0	5.9	M02600
EI 48 x 20.8	23.5	22.0	5.9	M03100
EI 54 x 18.8	26.5	25.0	6.0	M03800
EI 54 x 25.5	26.5	25.0	6.0	M04400
EI 60 x 21.0	29.3	27.8	6.0	M05000
EI 60 x 25.5	29.0	27.6	6.0	M05110
EI 60 x 33.0	29.3	27.8	6.0	M05180
EI 66 x 23.0	32.5	31.0	6.0	M05600
EI 66 x 34.5	32.5	31.0	6.0	M06200
EI 84 x 29.5	41.3	39.8	6.0	M08100



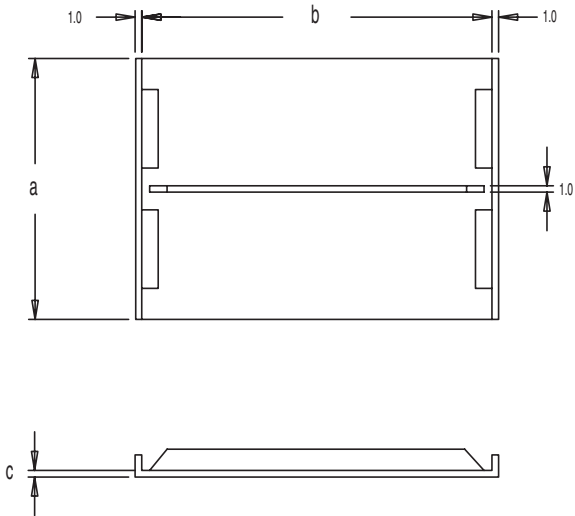
For bobbins not served by full insulation covers, side and top covers are available. Details available on request.



Standard materials: Nylon 66 / Nylon 66 to UL94V0 Dimensions in millimetres Actual design may vary dependent on size.



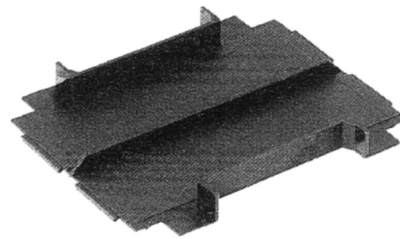
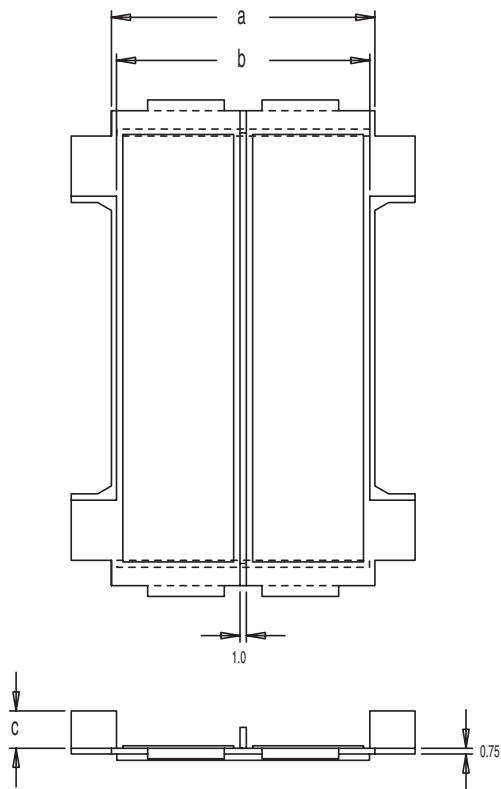
EI 84 & EI 96 TOP COVERS



Bobbin size	a	b	c	Part No.
EI 84	41.2	55.3	1.0	M08200
EI 96	47.0	63.5	0.75	M09400

Standard materials: Nylon 66 / Nylon 66 to UL94V0
Dimensions in millimetres

EI 84 & EI 96 SIDE COVERS



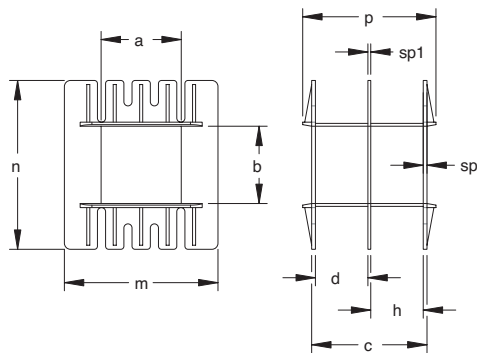
Bobbin size	a	b	c	Part No.
EI 84 x 43.5	41.2	39.7	6.0	M08900
EI 96 x 35.7	47.2	45.7	6.0	M09300
EI 96 x 45.7	47.2	45.7	6.0	M10000

Standard materials: Nylon 66 / Nylon 66 to UL94V0
Dimensions in millimetres

Most products are available direct from stock with same day despatch
- please contact sales for details



EI 84 BOBBINS

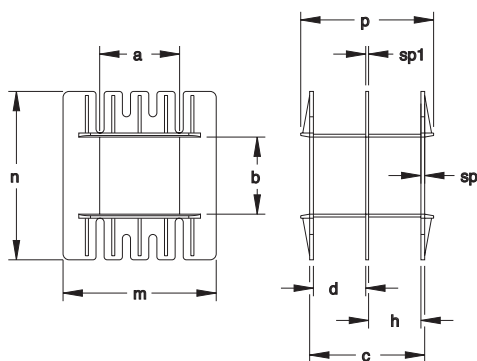


Bobbin Size	Type	a	b	c	d	h	sp/spl	m	n	p	Part No
E1 84/26	SS	28,5	26,0	41,0			1,5	54,5	60,0	47,0	E0840261
E1 84/30	SS	28,5	30,0	41,0			1,5	54,5	63,0	47,0	E0840301
E1 84/30	DS	28,5	30,0	41,0	16,3	19,7	1,5	54,5	63,0	47,0	E0840302
E1 84/35	SS	28,5	35,0	41,0			1,5	54,5	69,0	47,0	E0840351
E1 84/40	SS	28,5	40,0	41,0			1,5	54,5	74,0	47,0	E0840401
E1 84/40	DS	28,5	40,0	41,0	15,5	22,0	1,5	54,5	74,0	47,0	E0840402
E1 84/45	SS	28,5	45,0	41,0			1,5	54,5	77,0	47,0	E0840451
E1 84/45	DS	28,5	45,0	41,0	16,5	20,0	1,5	54,5	77,0	47,0	E0840452
E1 84/50	SS	28,5	50,0	41,0			1,5	54,5	82,0	47,0	E0840501
E1 84/50	DS	28,5	50,0	41,0	16,2	19,7	1,5	54,5	82,0	47,0	E0840502
E1 84/55	SS	28,5	55,0	41,0			1,5	54,5	88,0	47,0	E0840551

Standard materials: Nylon 6 glass reinforced

Dimensions in millimetres

EI 96 BOBBINS



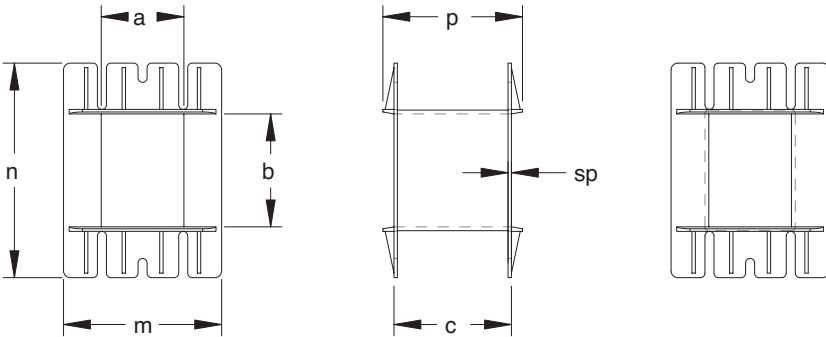
Bobbin Size	Type	a	b	c	d	h	sp/spl	m	n	p	Part No
E1 96/25	SS	32,5	25,0	47,5			1,3	63,5	64,0	53,0	E0960251
E1 96/32	SS	32,5	32,0	47,5	19,0	23,5	1,3	63,5	70,0	53,0	E0960321
E1 96/32	DS	32,5	32,0	47,5			1,3	63,5	70,0	53,0	E0960322
E1 96/40	SS	32,5	40,0	47,5			1,3	63,5	78,0	53,0	E0960401
E1 96/40	DS	32,5	40,0	47,5	19,0	23,5	1,3	63,5	78,0	53,0	E0960402
E1 96/50	SS	32,5	50,0	47,5			1,3	63,5	86,5	53,0	E0960501
E1 96/50	DS	32,5	50,0	47,5			1,3	63,5	86,5	53,0	E0960502
E1 96/60	SS	32,5	60,0	47,5	19,0	23,5	1,8	63,5	97,5	53,0	E0960601
E1 96/60	DS	32,5	60,0	47,5	19,0	23,5	1,8	63,5	97,5	53,0	E0960602
E1 96/70	SS	32,5	70,0	47,5			1,8	63,5	107,0	53,0	E0960701

Standard materials: Nylon 6 glass reinforced

Dimensions in millimetres



EI 108 BOBBINS

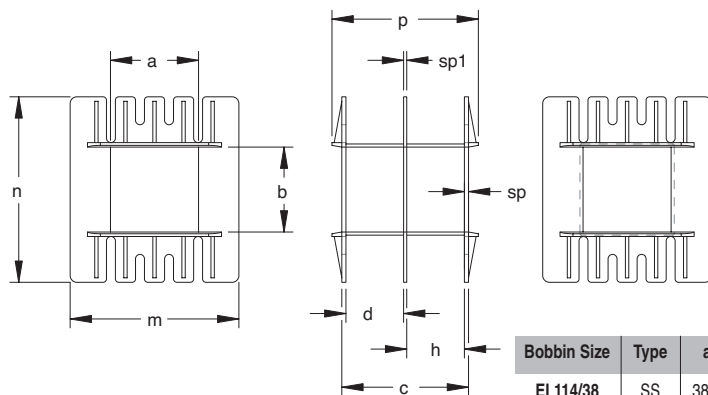


Bobbin Size	Type	a	b	c	sp	m	n	p	Part No
EI 108/36	SS	36.0	36.0	33,8	1,8	71.0	80.0	61.0	E1080361
EI 108/45	SS	36.0	45.0	33,8	1,8	70,5	87.0	61.0	E1080453
EI 108/50	SS	36.0	50.0	33,8	1,8	70,5	95.0	61.0	E1080501
EI 108/55	SS	36.0	55.0	33,8	1,8	70,5	97.0	61.0	E1080553
EI 108/60	SS	36.0	60.0	33,8	1,8	70,5	103,5	61.0	E1080601

Standard materials: Nylon 6 glass reinforced

Dimensions in millimetres

EI 114 BOBBINS



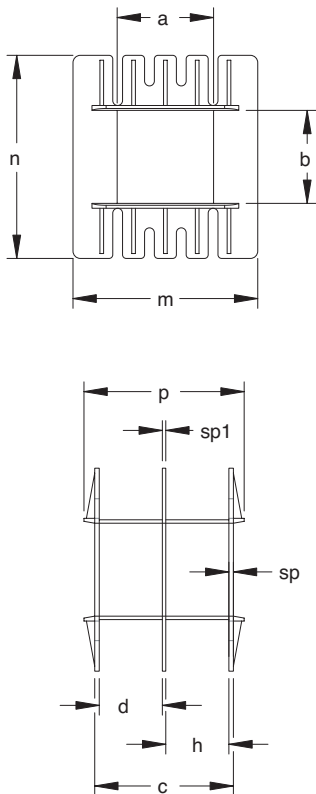
Bobbin Size	Type	a	b	c	d	h	sp/spl	m	n	p	Part No
EI 114/38	SS	38.0	38.0	57.0			1,5	75.0	80.0	65.0	EII40381
EI 114/38	DS	38.0	38.0	57.0	25,5	27.0	1,5	75.0	80.0	65.0	EII40382
EI 114/44	SS	38.0	44.0	57.0			1,5	75.0	87.0	65.0	EII40441
EI 114/44	DS	38.0	44.0	57.0	25,5	27.0	1,5	75.0	87.0	65.0	EII40442
EI 114/50	SS	38.0	50.0	57.0			1,5	75.0	94.0	65.0	EII40501
EI 114/50	DS	38.0	50.0	57.0	25,5	27.0	1,5	75.0	94.0	65.0	EII40502
EI 114/60	SS	38.0	60.0	57.0			1,5	75.0	103.0	65.0	EII40601
EI 114/60	DS	38.0	60.0	57.0	25,5	27.0	1,5	75.0	103.0	65.0	EII40602
EI 114/76	SS	38.0	76.0	57.0			1,5	75.0	121.0	65.0	EII40761
EI 114/76	DS	38.0	76.0	57.0	25,5	27.0	1,5	75.0	121.0	65.0	EII40762

Standard material: Nylon 6 glass reinforced

Dimensions in millimetres



EI 120 BOBBINS



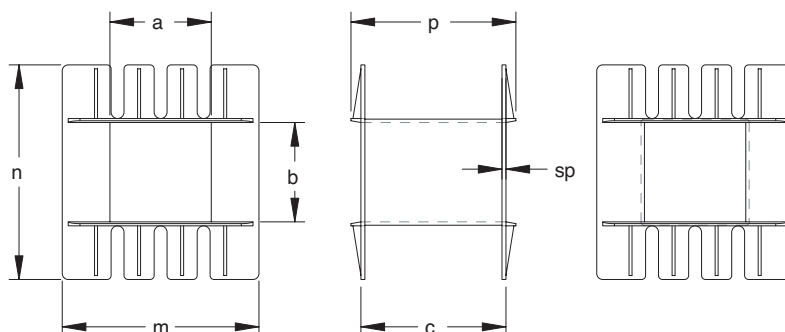
Bobbin Size	Type	a	b	c	d	h	sp/sp1	m	n	p	Part No
EI 120/30	SS	40,5	30,0	59,5			1,8	78,0	76,0	67,0	EI200301
EI 120/40	SS	40,5	40,0	59,5			1,8	78,0	83,0	67,0	EI200401
EI 120/40	DS	40,5	40,0	59,5	25,0	28,0	1,8	78,0	83,0	67,0	EI200402
EI 120/40	SS	40,5	40,0	59,5			1,8	78,0	83,0	63,0	EI200403
EI 120/45	SS	40,5	45,0	59,5			1,8	78,0	89,0	67,0	EI200451
EI 120/50	SS	40,5	50,0	59,5			1,8	78,0	91,0	67,0	EI200501
EI 120/50	DS	40,5	50,0	59,5	25,0	28,0	1,8	78,0	91,0	67,0	EI200502
EI 120/50	SS	40,5	50,0	59,5			1,8	78,0	91,0	63,0	EI200503
EI 120/55	SS	40,5	55,0	59,5			1,8	78,0	99,0	67,0	EI200551
EI 120/60	SS	40,5	60,0	59,5			1,8	78,0	100,0	67,0	EI200601
EI 120/60	DS	40,5	60,0	59,5	25,0	28,0	1,8	78,0	100,0	67,0	EI200602
EI 120/60	SS	40,5	60,0	59,5			1,8	78,0	100,0	63,0	EI200603
EI 120/65	SS	40,5	65,0	59,5			1,8	78,0	109,0	67,0	EI200651
EI 120/70	SS	40,5	70,0	59,5			1,8	78,0	112,0	67,0	EI200701
EI 120/70	DS	40,5	70,0	59,5	25,0	28,0	1,8	78,0	112,0	67,0	EI200702
EI 120/70	SS	40,5	70,0	59,5			1,8	78,0	112,0	63,0	EI200703
EI 120/80	SS	40,5	80,0	59,5			1,8	78,0	122,5	67,0	EI200801
EI 120/80	DS	40,5	80,0	59,5	25,0	28,0	1,8	78,0	122,5	67,0	EI200802
EI 120/80	SS	40,5	80,0	59,5			1,8	78,0	122,5	63,0	EI200803

1 at end of part number denotes single section bobbin with slots on both flanges
 2 at end of part number denotes double section bobbin with slots on both flanges
 3 at end of part number denotes single section bobbin with one flange slotted and the other without slots

Standard material: Nylon 6 glass reinforced

Dimensions in millimetres

EI 135 BOBBINS



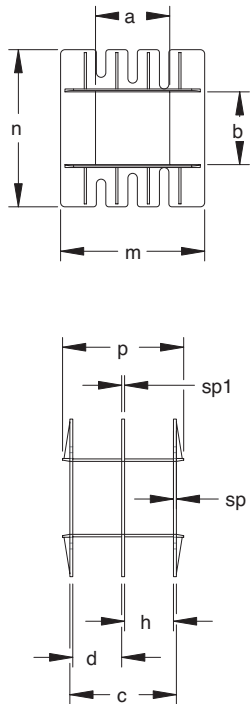
Bobbin Size	Type	a	b	c	sp	m	n	p	Part No
EI 135/45	SS	45,5	45,0	66,0	2,0	89,0	101,0	71,0	EI350453
EI 135/50	SS	45,5	50,0	66,0	2,0	89,0	106,5	71,0	EI350503
EI 135/60	SS	45,5	60,0	66,0	2,0	89,0	117,0	71,0	EI350603
EI 135/70	SS	45,5	70,0	66,0	2,0	89,0	126,5	71,0	EI350703
EI 135/90	SS	45,5	90	66,0	2,0	89,0	147	71,0	EI350903

Standard material: Nylon 6 glass reinforced

Dimensions in millimetres



EI 150 BOBBINS

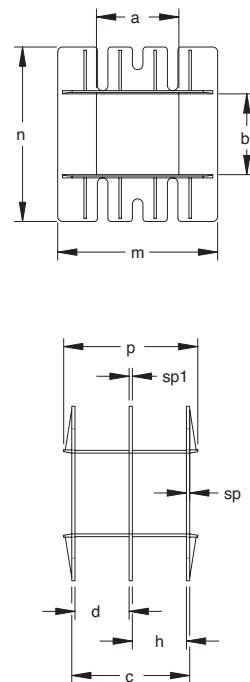


Bobbin Size	Type	a	b	c	d	h	sp/sp1	m	n	p	Part No
EI 150/40	SS	51.0	40.0	74.0			2.0	100.0	100.0	84.0	EI500401
EI 150/40	DS	51.0	40.0	74.0	32.0	37.5	2.0	100.0	100.0	84.0	EI500402
EI 150/40	SS	51.0	40.0	74.0			2.0	100.0	100.0	79.0	EI500403
EI 150/50	SS	51.0	50.0	74.0			2.0	100.0	109.0	84.0	EI500501
EI 150/50	DS	51.0	50.0	74.0	32.0	37.5	2.0	100.0	109.0	84.0	EI500502
EI 150/50	SS	51.0	50.0	74.0			2.0	100.0	109.0	79.0	EI500503
EI 150/60	SS	51.0	60.0	74.0			2.0	100.0	119.0	84.0	EI500601
EI 150/60	DS	51.0	60.0	74.0	32.0	37.5	2.0	100.0	119.0	84.0	EI500602
EI 150/60	SS	51.0	60.0	74.0			2.0	100.0	119.0	79.0	EI500603
EI 150/70	SS	51.0	70.0	74.0			2.0	100.0	128.5	84.0	EI500701
EI 150/70	DS	51.0	70.0	74.0	32.0	37.5	2.0	100.0	128.5	84.0	EI500702
EI 150/70	SS	51.0	70.0	74.0			2.0	100.0	128.5	79.0	EI500703
EI 150/80	SS	51.0	80.0	74.0			2.0	100.0	139.0	84.0	EI500801
EI 150/80	DS	51.0	80.0	74.0	32.0	37.5	2.0	100.0	139.0	84.0	EI500802
EI 150/80	SS	51.0	80.0	74.0			2.0	100.0	139.0	79.0	EI500803
EI 150/90	SS	51.0	90.0	74.0			2.0	100.0	148.0	84.0	EI500901
EI 150/90	DS	51.0	90.0	74.0	32.0	37.5	2.0	100.0	148.0	84.0	EI500902
EI 150/90	SS	51.0	90.0	74.0			2.0	100.0	148.0	79.0	EI500903
EI 150/100	SS	51.0	100.0	74.0			2.0	100.0	159.0	84.0	EI501001
EI 150/100	DS	51.0	100.0	74.0	32.0	37.5	2.0	100.0	159.0	84.0	EI501002
EI 150/100	SS	51.0	100.0	74.0			2.0	100.0	159.0	79.0	EI501003

Standard material: Nylon 6 glass reinforced

Dimensions in millimetres

EI 180 BOBBINS



Bobbin Size	Type	a	b	c	d	h	sp/sp1	m	n	p	Part No
EI 180/60	SS	60.0	60.0	89.0			2.0	117.0	130.5	100.0	EI800601
EI 180/60	DS	60.0	60.0	89.0	38.0	44.0	2.0	117.0	130.5	100.0	EI800602
EI 180/60	SS	60.0	60.0	89.0			2.0	117.0	130.5	94.0	EI800603
EI 180/70	SS	60.0	70.0	89.0			2.0	117.0	142.0	100.0	EI800701
EI 180/70	DS	60.0	70.0	89.0	38.0	44.0	2.0	117.0	142.0	100.0	EI800702
EI 180/70	SS	60.0	70.0	89.0			2.0	117.0	142.0	94.0	EI800703
EI 180/80	SS	60.0	80.0	89.0			2.0	117.0	148.0	100.0	EI800801
EI 180/80	DS	60.0	80.0	89.0	38.0	44.0	2.0	117.0	148.0	100.0	EI800802
EI 180/80	SS	60.0	80.0	89.0			2.0	117.0	148.0	94.0	EI800803
EI 180/90	SS	60.0	90.0	89.0			2.0	117.0	160.0	100.0	EI800901
EI 180/90	DS	60.0	90.0	89.0	38.0	44.0	2.0	117.0	160.0	100.0	EI800902
EI 180/90	SS	60.0	90.0	89.0			2.0	117.0	160.0	94.0	EI800903
EI 180/100	SS	60.0	100.0	89.0			2.0	117.0	171.0	100.0	EI801001
EI 180/100	SS	60.0	100.0	89.0			2.0	117.0	171.0	94.0	EI801003
EI 180/120	SS	60.0	120.0	89.0			2.0	117.0	195.0	100.0	EI801201
EI 180/120	DS	60.0	120.0	89.0	38.0	44.0	2.0	117.0	195.0	100.0	EI801202
EI 180/120	SS	60.0	120.0	89.0			2.0	117.0	195.0	94.0	EI801203

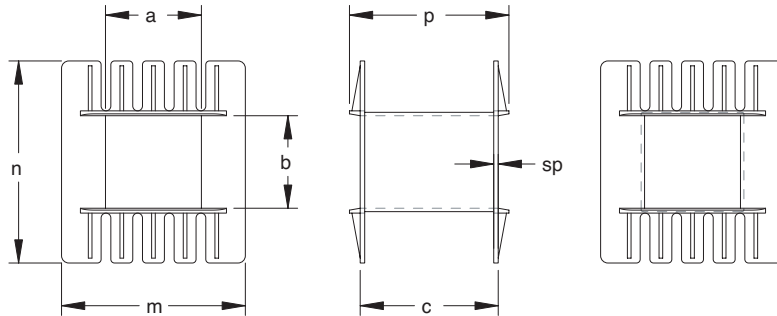
Standard material: Nylon 6 glass reinforced

Dimensions in millimetres

Most products are available direct from stock with same day despatch
- please contact sales for details



EI 192 BOBBINS

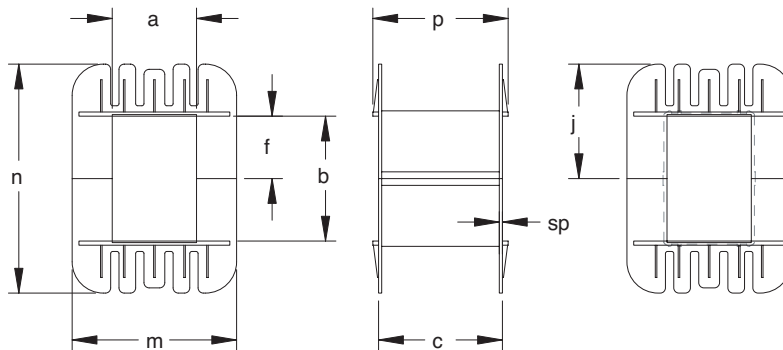


Bobbin Size	Type	a	b	c	sp	m	n	p	Part No
EI 192/60	SS	64.0	60.0	95,6	2,5	126.0	134.0	103,5	EI920601
EI 192/65	SS	64.0	65.0	95,6	2,5	126.0	138.0	103,5	EI920651
EI 192/70	SS	64.0	70.0	95,6	2,5	126.0	144.0	103,5	EI920701
EI 192/80	SS	64.0	80.0	95,6	2,5	126.0	154.0	103,5	EI920801
EI 192/90	SS	64.0	90.0	95,6	2,5	126.0	164.0	103,5	EI920901
EI 192/100	SS	64.0	100.0	95,6	2,5	126.0	173.0	103,5	EI921001
EI 192/110	SS	64.0	110.0	95,6	2,5	126.0	182.0	103,5	EI921101
EI 192/120	SS	64.0	120.0	95,6	2,5	126.0	192.0	103,5	EI921201

Standard material: Nylon 6 glass reinforced

Dimensions in millimetres

EI 240 BOBBINS



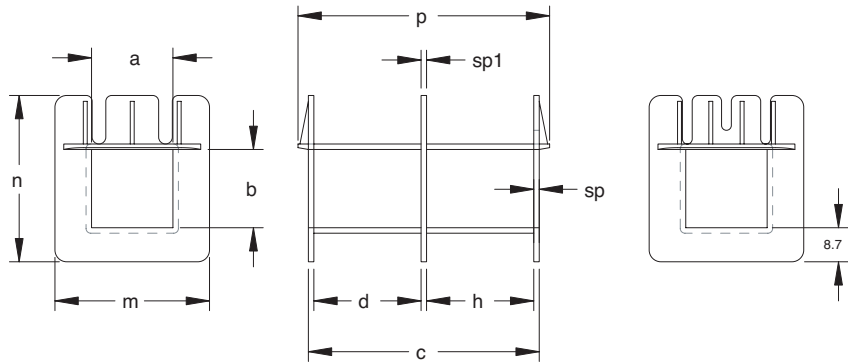
Bobbin Size	Type	a	b	c	f	j	sp	m	n	p	Bobbin Part No	Child 1 Part No	Child 2 Part No
EI 240/80	SS	80.0	80.0	120.0	40.0	90.0	3.0	158.0	180.0	130.0	E2400801	E240040X	E240040X
EI 240/90	SS	80.0	90.0	120.0			3.0	158.0	190.0	130.0	E2400901	E240040X	E240050X
EI 240/100	SS	80.0	100.0	120.0	50.0	100.0	3.0	158.0	200.0	130.0	E2401001	E240050X	E240050X
EI 240/110	SS	80.0	110.0	120.0			3.0	158.0	210.0	130.0	E2401101	E240050X	E240060X
EI 240/120	SS	80.0	120	120.0	60	110.0	3.0	158.0	220.0	130.0	E2401201	E240060X	E240060X

Standard material: Nylon 6 glass reinforced

Dimensions in millimetres



UI 60 BOBBINS

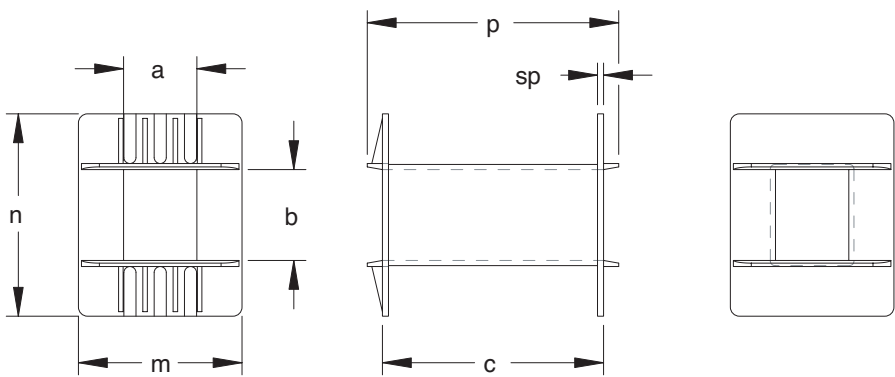


Bobbin Size	Type	a	b	c	d	h	sp/spl	m	n	p	Part No
UI 60/20	SS	20,6	21.0	60.0			1,5	38.0	42,5	64.0	U0600201
UI 60/20	DS	20,6	21.0	60.0	27.0	27.0	1,5	38.0	42,5	64.0	U0600202
UI 60/30	SS	20,6	30.0	60.0			1,5	38.0	57.0	66.0	U0600301
UI 60/30	DS	20,6	30.0	60.0	27.0	27.0	1,5	38.0	57.0	66.0	U0600302

Standard material: Nylon 6 glass reinforced

Dimensions in millimetres

UI 66 BOBBINS



Bobbin Size	Type	a	b	c	sp	m	n	p	Part No
UI 66/30	SS	23,6	30.0	66.0	1,5	54,5	68.0	74.0	U0660303
UI 66/40	SS	23,6	40.0	66.0	1,5	54,5	74.0	74.0	U0660403
UI 66/45	SS	23,6	45.0	66.0	1,5	54,5	80.0	74.0	U0660453

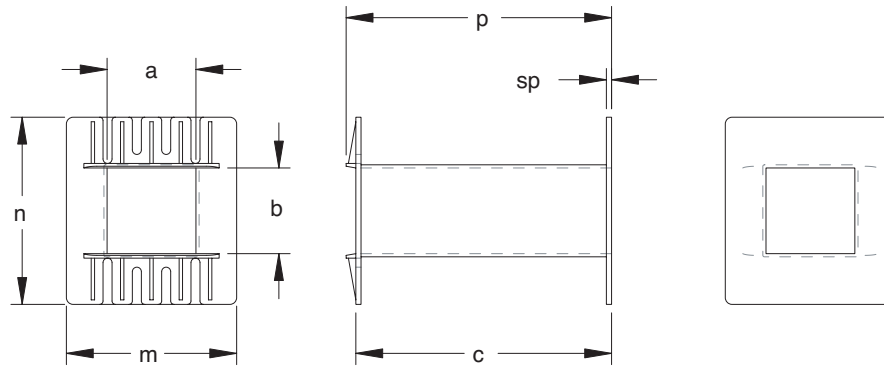
Standard material: Nylon 6 glass reinforced

Dimensions in millimetres



Metric Range

UI 75 BOBBINS

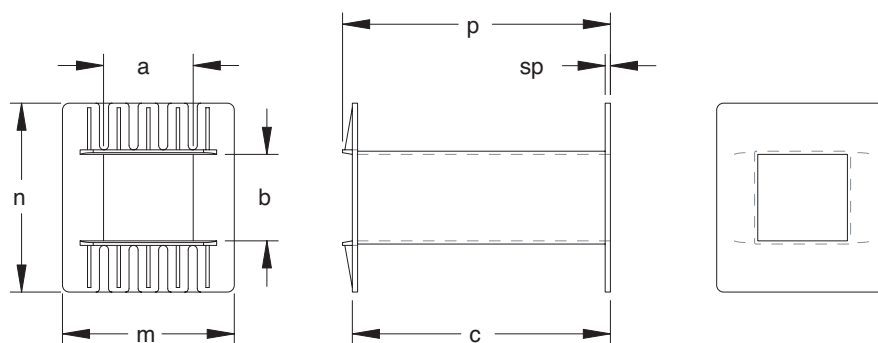


Bobbin Size	Type	a	b	c	sp	m	n	p	Part No
UI 75/26	SS	25,6	26,0	74,0	1,3	49,0	57,5	78,0	U0750263
UI 75/40	SS	25,6	41,0	74,0	1,3	49,0	73,0	78,0	U0750413

Standard material: Nylon 6 glass reinforced

Dimensions in millimetres

UI 90 BOBBINS



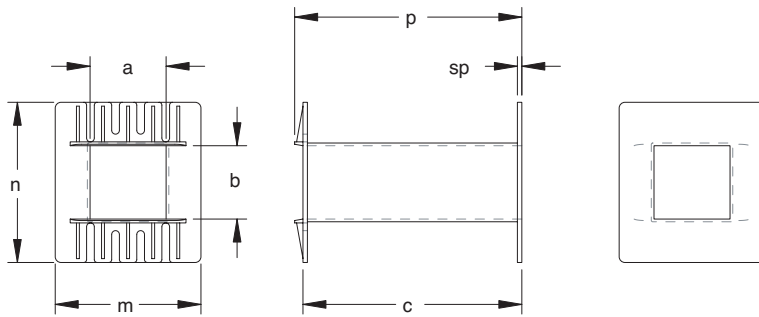
Bobbin Size	Type	a	b	c	sp	m	n	p	Part No
UI 90/30	SS	31,0	30,0	89,0	1,5	59,0	68,0	95,5	U0900303
UI 90/35	SS	31,0	35,0	89,0	1,5	59,0	74,5	95,5	U0900353
UI 90/40	SS	31,0	40,0	89,0	1,5	59,0	79,0	95,5	U0900403
UI90/45	SS	31,0	45,0	89,0	1,5	59,0	84,0	95,5	U0900453
UI 90/50	SS	31,0	50,0	89,0	1,5	59,0	89,0	95,5	U0900503
UI 90/55	SS	31,0	55,0	89,0	1,5	59,0	94,0	95,5	U0900553
UI 90/60	SS	31,0	60,0	89,0	1,5	59,0	100,0	95,5	U0900603
UI 90/75	SS	31,0	75,0	89,0	1,5	59,0	113,0	95,5	U0900753

Standard material: Nylon 6 glass reinforced

Dimensions in millimetres



UI 100 BOBBINS

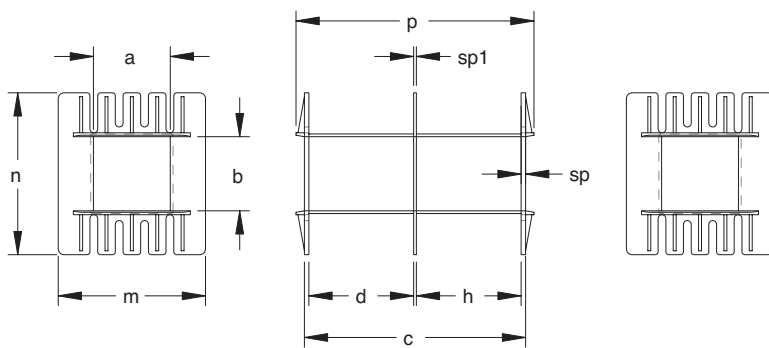


Bobbin Size	Art.N.	a	b	c	d	h	sp	m	n	p	Part No
UI 100/40	1314	41.0	40.0	99.5			2.0	78.0	86.0	99.5	U1000401
UI 100/50	1315	41.0	50.0	99.5			2.0	78.0	96.0	99.5	U1000402
UI 100/60	1316	41.0	60.0	99.5			2.0	78.0	106.0	99.5	U1000501
UI 100/70	1317	41.0	70.0	99.5			2.0	78.0	116.0	99.5	U1000502
UI 100/80	1318	41.0	100.0	99.5			2.0	78.0	146.0	99.5	U1000601

Standard material: Nylon 6 glass reinforced

Dimensions in millimetres

UI 120 BOBBINS



Bobbin Size	Type	a	b	c	d	h	sp/sp1	m	n	p	Part No
UI 120/40	SS	41.0	40.0	119.0			2.0	78.5	89.5	128.0	U1200401
UI 120/40	DS	41.0	40.0	119.0	53.0	60.5	2.0	78.5	89.5	128.0	U1200402
UI 120/50	SS	41.0	50.0	119.0			2.0	78.5	99.0	128.0	U1200501
UI 120/50	DS	41.0	50.0	119.0	53.0	60.5	2.0	78.5	99.0	128.0	U1200502
UI 120/60	SS	41.0	60.0	119.0			2.0	78.5	110.0	128.0	U1200601
UI 120/60	DS	41.0	60.0	119.0	53.0	60.5	2.0	78.5	110.0	128.0	U1200602
UI 120/75	SS	41.0	75.0	119.0			2.0	78.5	123.0	128.0	U1200751
UI 120/75	DS	41.0	75.0	119.0	53.0	60.5	2.0	78.5	123.0	128.0	U1200752

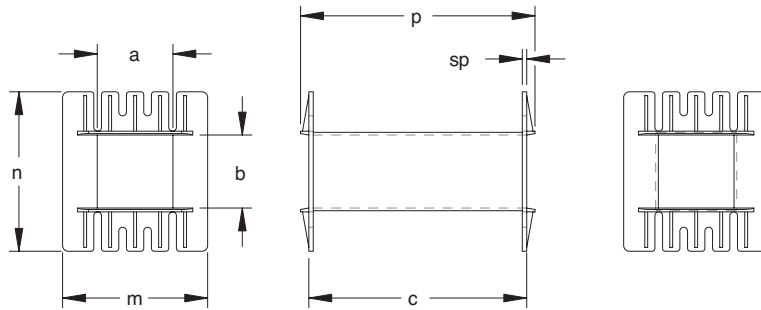
Standard material: Nylon 6 glass reinforced

Dimensions in millimetres



Metric Range

UI 150 BOBBINS

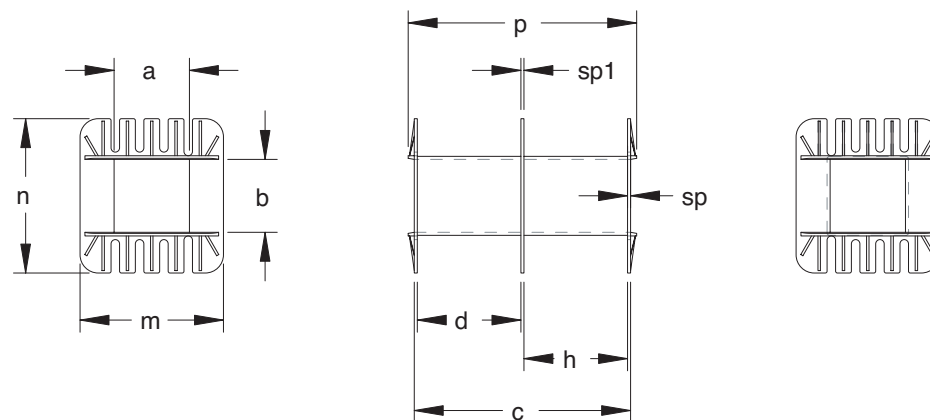


Bobbin Size	Type	a	b	c	sp	m	n	p	Part No
UI 150/50	SS	51.0	50.0	149.0	2.0	97.5	107.0	157.0	UI500501
UI 150/60	SS	51.0	60.0	149.0	2.0	97.5	117.0	157.0	UI500601
UI 150/70	SS	51.0	70.0	149.0	2.0	97.5	128.0	157.0	UI500701
UI 150/80	SS	51.0	80.0	149.0	2.0	97.5	138.0	157.0	UI500801
UI 150/90	SS	51.0	90.0	149.0	2.0	97.5	147.0	157.0	UI500901
UI 150/100	SS	51.0	100.0	149.0	2.0	99.0	157.0	157.0	UI501001

Standard material: Nylon 6 glass reinforced

Dimensions in millimetres

UI 180 BOBBINS



Bobbin Size	Type	a	b	c	d	h	sp/sp1	m	n	p	Part No
UI 180/60	SS	61.0	60.0	180.0			2.0	118.0	128.0	188.0	UI800601
UI 180/70	SS	61.0	70.0	180.0			2.0	118.0	137.0	188.0	UI800701
UI 180/70	DS	61.0	70.0	180.0	85.0	87.0	2.0	118.0	137.0	188.0	UI800702
UI 180/80	SS	61.0	80.0	180.0			2.0	118.0	149.0	188.0	UI800801
UI 180/90	SS	61.0	90.0	180.0			2.0	118.0	158.0	188.0	UI800901

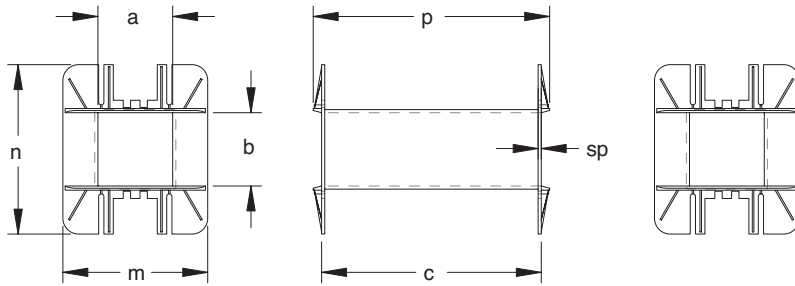
Standard material: Nylon 6 glass reinforced

Dimensions in millimetres

Most products are available direct from stock with same day despatch
- please contact sales for details



UI 210 BOBBINS (Style 1)

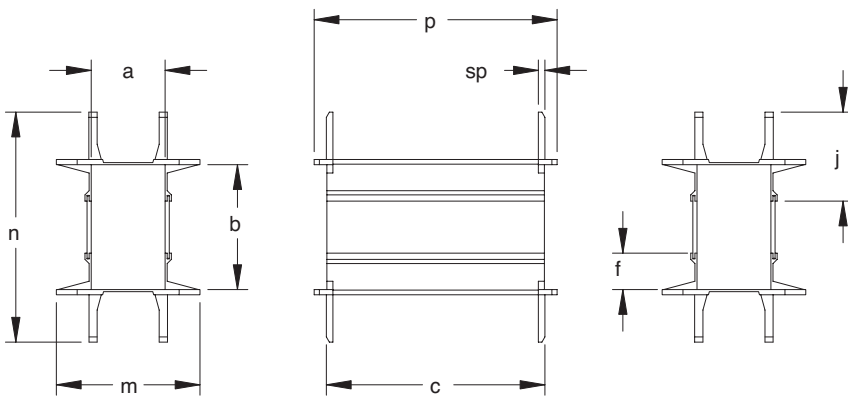


Bobbin Size	Type	a	b	c	sp	m	n	p	Part No
UI 210/70	SS	70.0	70.0	210.0	3.0	139.0	162.0	221.0	U2100701
UI 210/80	SS	70.0	80.0	210.0	3.0	139.0	172.0	221.0	U2100801
UI 210/90	SS	70.0	90.0	210.0	3.0	139.0	193.0	221.0	U2100901
UI 210/100	SS	70.0	100.0	210.0	3.0	139.0	193.0	221.0	U2101001

Standard materials: Nylon 6 glass reinforced

Dimensions in millimetres

UI 210 BOBBINS (Style 2)



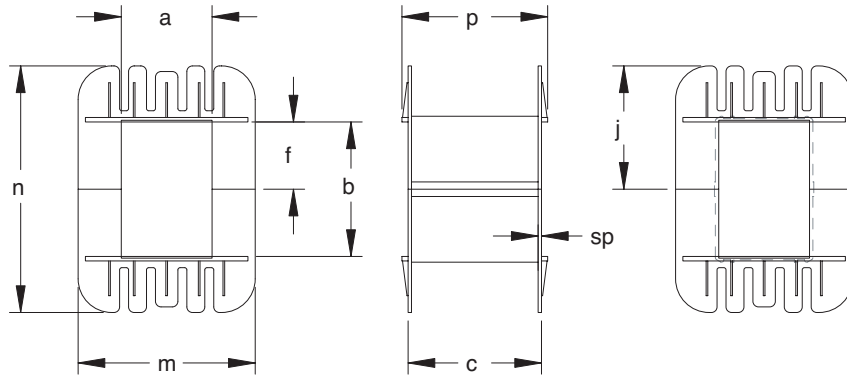
Bobbin Size	Type	a	b	c	f	j	sp	m	n	p	Assembly part no	End part No	Side Part No
UI 210/110	SS	71.0	110.0	210.0	35.0	81.0	3.0	139.0	202.0	221.0	U2101101	UE210000	US210110
UI 210/120	SS	71.0	120.0	210.0	35.0	81.0	3.0	139.0	212.0	221.0	U2101201	UE210000	US210120
UI 210/130	SS	71.0	130.0	210.0	35.0	81.0	3.0	139.0	222.0	221.0	U2101301	UE210000	US210130
UI 210/140	SS	71.0	140.0	210.0	35.0	81.0	3.0	139.0	232.0	221.0	U2101401	UE210000	US210140

Standard material: Nylon 6 glass reinforced

Dimensions in millimetres



UI 240 BOBBINS



Bobbin Size	Type	a	b	c	f	j	sp	m	n	p	Assembly part no	End part No	Side Part No
UI 240/80	SS	81,5	80.0	240.0	40.0	100.0	3.0	160.0	200.0	252.0	U2400801	UE240000	US240080
UI 240/90	SS	81,5	90.0	240.0	40.0	100.0	3.0	160.0	210.0	252.0	U2400901	UE240000	US240090
UI 240/100	SS	81,5	100.0	240.0	40.0	100.0	3.0	160.0	220.0	252.0	U2401001	UE240000	US240100
UI 240/110	SS	81,5	110.0	240.0	40.0	100.0	3.0	160.0	230.0	252.0	U2401101	UE240000	US240110
UI 240/120	SS	81,5	120.0	240.0	40.0	100.0	3.0	160.0	240.0	252.0	U2401201	UE240000	US240120
UI 240/130	SS	81,5	130.0	240.0	40.0	100.0	3.0	160.0	250.0	252.0	U2401301	UE240000	US240130
UI 240/140	SS	81,5	140.0	240.0	40.0	100.0	3.0	160.0	260.0	252.0	U2401401	UE240000	US240140
UI 240/150	SS	81,5	150.0	240.0	40.0	100.0	3.0	160.0	270.0	252.0	U2401501	UE240000	US240150

Standard materials: Nylon 66 glass reinforced / Nylon 66 glass reinforced to UL94V0

Dimensions in millimetres

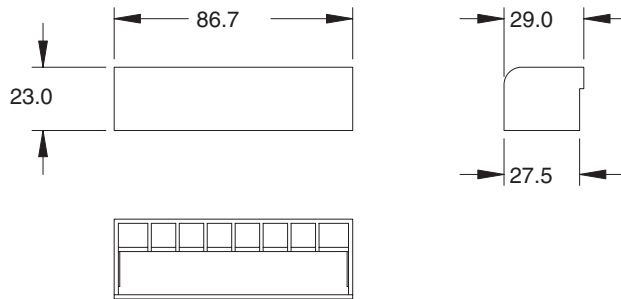
UI 300 BOBBINS

Contact Sales Office
for details and availability.

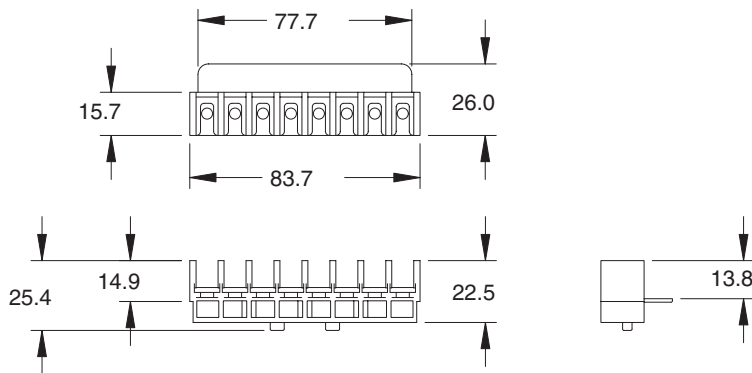


30 Amp 8 Way Terminal Block & Cover

Section 3

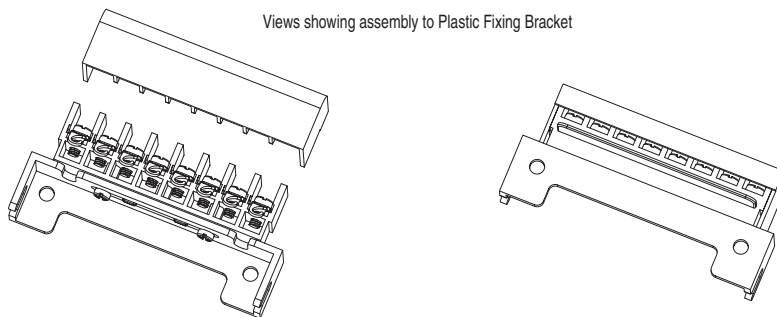


Part No. TC030008



Part No. TB030008

Views showing assembly to Plastic Fixing Bracket

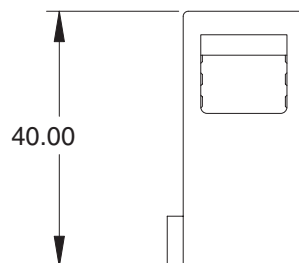
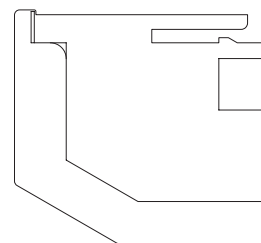
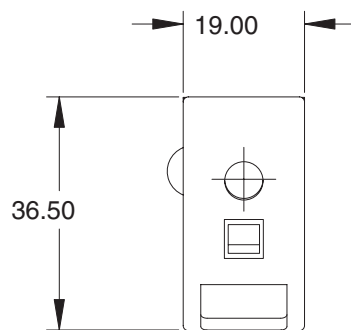


Solder/screw terminals fitted in each position



63 Amp Single Way Interlocking Clip Type Terminal Block

63 Amp Single Way Interlocking Clip Type Terminal Block



Part No. TB063001

Multi-way terminal assemblies can be achieved

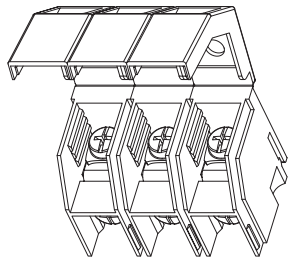
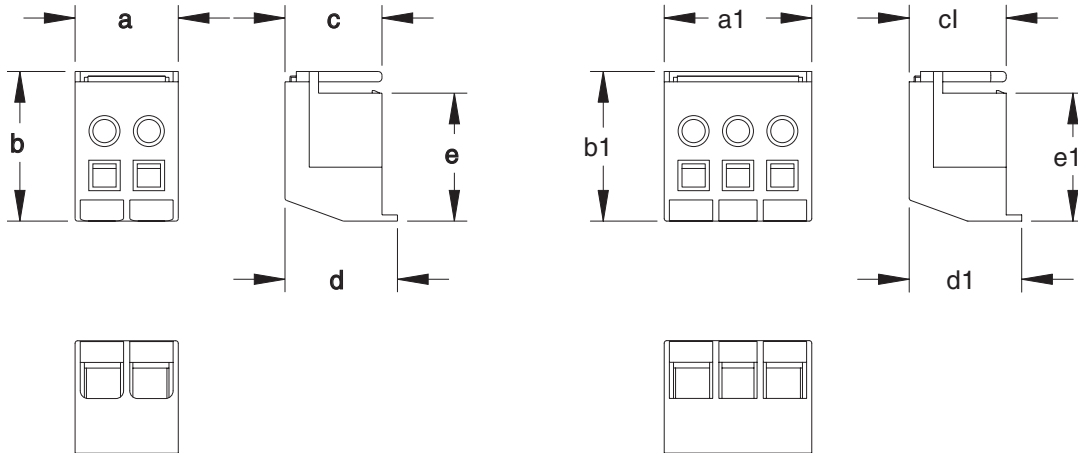
Type	a	b	c	Part No
Single Amp	19	36,5	40.0	TB 063001

Dimensions in millimetres

For further technical information please contact sales
Tel: +44 (0) 116 262 2593 Fax: +44 (0) 116 253 7889



2 & 3 Way Clip Type Terminal Blocks



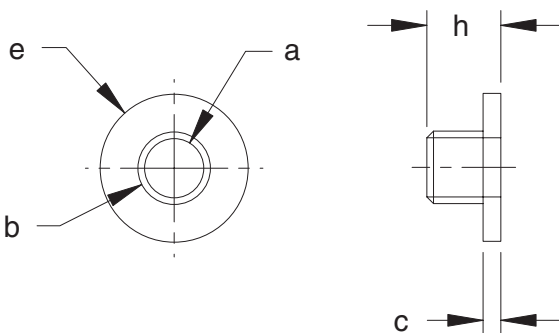
All screw/screw connections

Type	a/a1	b/b1	c/c1	d/d1	e/e1	Part No
2 way 16 Amp	20.0	29.5	20.0	21.5	25.0	TB 016002
3 way 16 Amp	29.0	29.5	20.0	21.5	25.0	TB 016003

Type	a/a1	b/b1	c/c1	d/d1	e/e1	Part No
2 way 30 Amp	20.5	29.5	20.0	21.5	25.0	TB 030002
3 way 30 Amp	34.5	29.5	20.0	21.5	25.0	TB 030003

Dimensions in millimetres

Core Bolt Insulation Bushes



Bolt Size	a	b	c	e	h	Part No
M4	4.0	4.9	1.2	10.0	5.0	IBM 0401
M5	5.0	5.9	1.5	12.0	6.0	IBM 0501
M6	6.0	7.6	1.5	14.0	7.0	IBM 0601
M8	8.0	9.6	2.0	19.0	11.0	IBM 0801
M10	10.0	11.6	2.0	21.0	15.0	IBM 1001
M12	12.0	13.6	2.5	25.0	17.0	IBM 1201

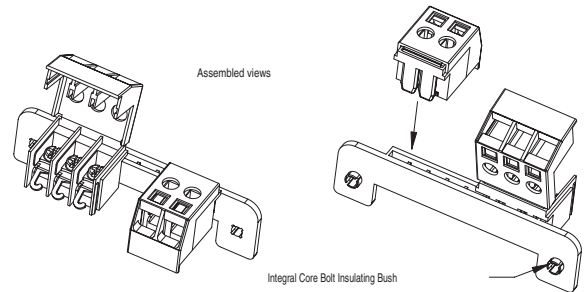
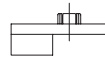
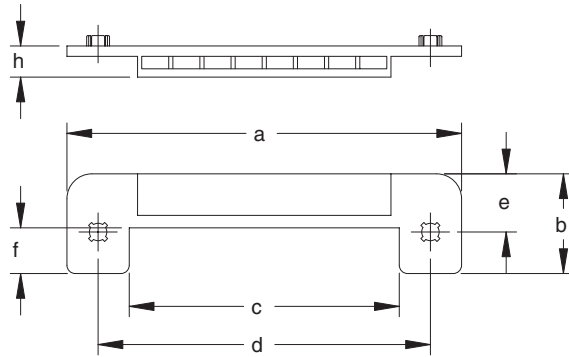
Standard materials: Nylon 6 Dimensions in millimetres

Most products are available direct from stock with same day despatch
- please contact sales for details



Metric Range Accessories

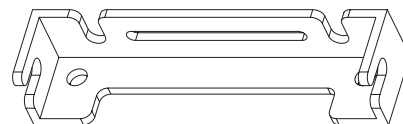
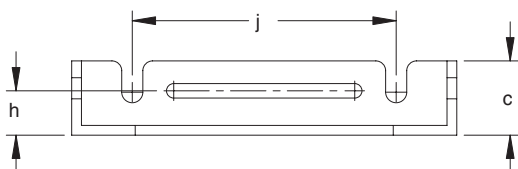
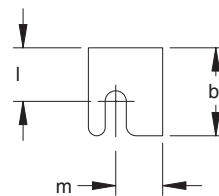
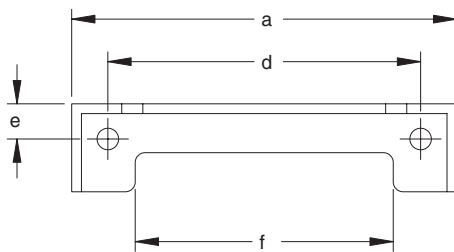
Plastic Portal Clamps



Lamination Pattern	a	b	c	d	e	f	h	Part No
EI 84	81.8	27.0	58.8	70.0	17.0	14.0	7.8	PPCE084
EI 96	94.8	24.0	64.5	80.0	14.5	11.0	7.8	PPCE096
EI 120	119.0	24.0	81.8	100.0	10.0	12.5	7.8	PPCE120
EI 150	146.0	30.0	102.0	125.0	12.5	11.5	7.8	PPCE150

Standard materials: Nylon glass reinforced Dimensions in millimetres

Plastic Fixing Bracket



Lamination Size	a	b	c	d	e	f	j	h	m	Part No
EI 84	86,7	22,8	19,2	70,0	9,0	59,5	60,0	7,8	12,0	MPFB 0841
EI 96	98,8	23,0	19,0	80,0	9,0	66,0	68,0	8,5	12,0	MPFB 0961

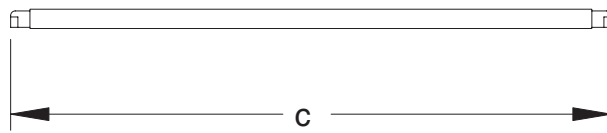
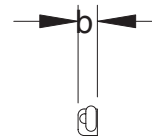
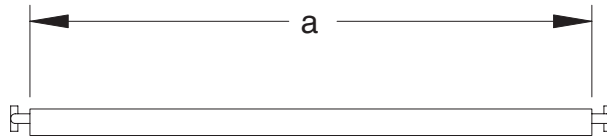
Standard materials: Nylon glass reinforced Dimensions in millimetres

Miles-Platts terminals & wire are now being converted to lead-free
- please refer to technical sales for details

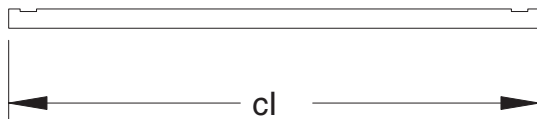
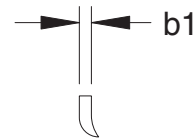
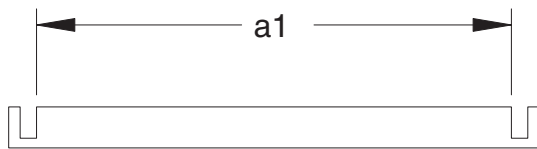


Winding Profile Spacers

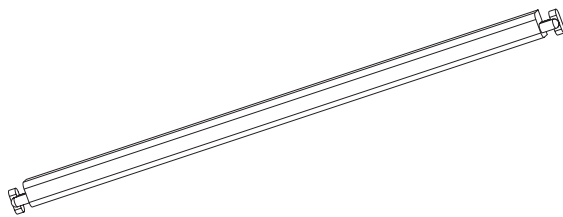
Section 3



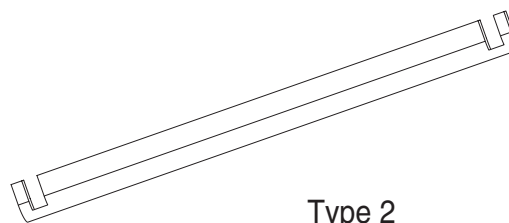
Type 1



Type 2



Type 1



Type 2

Type No	a mm	b mm	c mm	a1 mm	b1 mm	c1 mm	Part No	Used With Bobbin Part No	Bobbin Style
1	114	8	130	-	-	-	PFU1201	U120 - - - -	-
1	144	8	160	-	-	-	PFU1201	U150 - - - -	-
1	172	8	188	-	-	-	PFU1201	U180 - - - -	-
1	202	8	220	-	-	-	PFU1201	U210 - - - -	Style 1
2	-	-	-	196	7	220	PFU1201	U210 - - - -	Style 2
1	233	8	249	-	-	-	PFU1201	U240 - - - -	-
2	-	-	-	282	7	310	PFU1201	U300 - - - -	-